

SINGER
5812/5814/5816/5818

LIST OF PARTS

SEWING MACHINE SERIES

5812/5814

5816/5818

by
SINGER*

© THE SINGER COMPANY
1991 SINGER DO BRASIL
ALL RIGHTS RESERVED

* REGISTERED TRADEMARK

PRINTED IN BRAZIL
356950-001

5810 SERIES
REVISION RECORD

REV.	DESCRIPTION	APPROVAL AND DATE
1	COLLOR CHANGING FROM LIGHT BUFF TO SNOW WHITE EFFECTIVE DATE: FEB. 1993	

From the library of: Diamond Needle Corp

INDEX

PAGE NBR	SUB-ASSEMBLY
01 , 02	ATTACHMENT SET
03 , 04	ARM, BED, THROAT PLATE & BED SLIDE
05 , 06	ARM TOP COVER
07 , 10	COVERS & ADD-ONS
11 , 12	NEEDLE BAR
13 , 14	PRESSER BAR
15 , 16	ARM SHAFT DRIVE
17 , 18	HAND WHEEL
19 , 20	TENSION
21 , 22	ROTATING HOOK
23 , 24	BIGHT AMPLITUDE
25 , 26	NEEDLE POSITION
27 , 28	PATTERN SELECTOR
29 , 30	CAM STACK
31 , 32	BUTTONHOLER & FEED REGULATOR CAM
33 , 34	CAM CONTROLLED FEED
35 , 36	FEED SYSTEM
37 , 38	OPTIONS.
39 , 46	ELECTRICAL EQUIPMENT

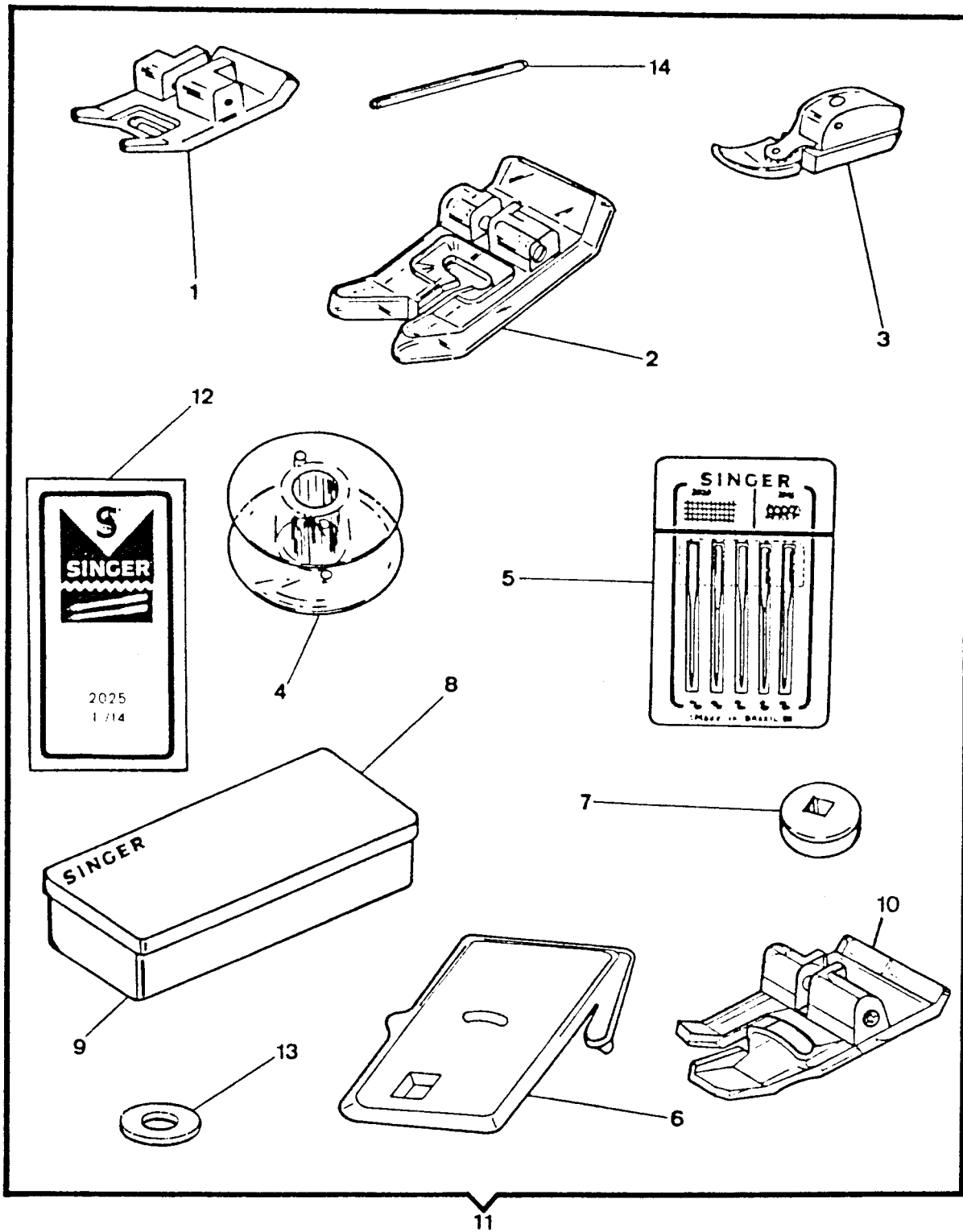
From the library of: Diamond Needle Corp

PART LIST
ATTACHMENT SET

REF.	PART NBR	DESCRIPTION	5	5	5	5
			8	8	8	8
			1	1	1	1
			2	4	6	8
01	446492-451	SPECIAL PURPOSE PRESSER FOOT PLATE (SNAP-ON)	X	X	X	X
02	161927	PRESSER FOOT PLATE (SNAP-ON) FOR SEWING BUTTONHOLES	X	X	X	X
03	507836	PRESSER FOOT PLATE (SNAP-ON) COMPLETE FOR CORDING & SLIDE FASTENERS	X	X	X	X
04	172336	BOBBIN (PLASTIC)	X	X	X	X
05	353364	NEEDLE PACK (INCLUDES 1 EA. N2020 SIZE 11/14/15 & N2045 SIZE 11/14)	X	X	X	X
05	353677	NEEDLE PACK FOR JAPAN ONLY (5 NEEDLES)	X	X	X	X
06	313117	FEED COVER PLATE (PLASTIC)	X	X	X	X
07	507664-467	ARM TOP COVER SPOOL PIN THREAD LEAD-OFF (SMALL PLASTIC)	X	X	X	X
08	446149-458	ATTACHMENT BOX COVER (PLASTIC)	X	X	X	X
09	446148-456	ATTACHMENT BOX BASE (PLASTIC)	X	X	X	X
10	356630	BLIND STITCH GUIDE	X	X	X	X
11	356167-001	ATTACHMENT SET COMPLETE (FOR US/CANADA)	X	X	X	X
11	446496-003	ATTACHMENT SET COMPLETE	X	X	X	X
11	356211-001	ATTACHMENT SET COMPLETE (AMEDO)	X	X	X	X
11	353481-008	ATTACHMENT SET COMPLETE (FOR JAPAN)	X	X	X	X
12	531868	NEEDLE PACK (ONE TWIN NEEDLE 2025-14)	O	O	O	O
13	8879-455	SPOOL PIN FELT FOR TWIN NEEDLE	O	O	O	O
14	179948-451	SPOOL PIN FOR TWIN NEEDLE	O	O	O	O

O = OPTIONAL FOR SOME MARKETS

ATTACHMENT SET



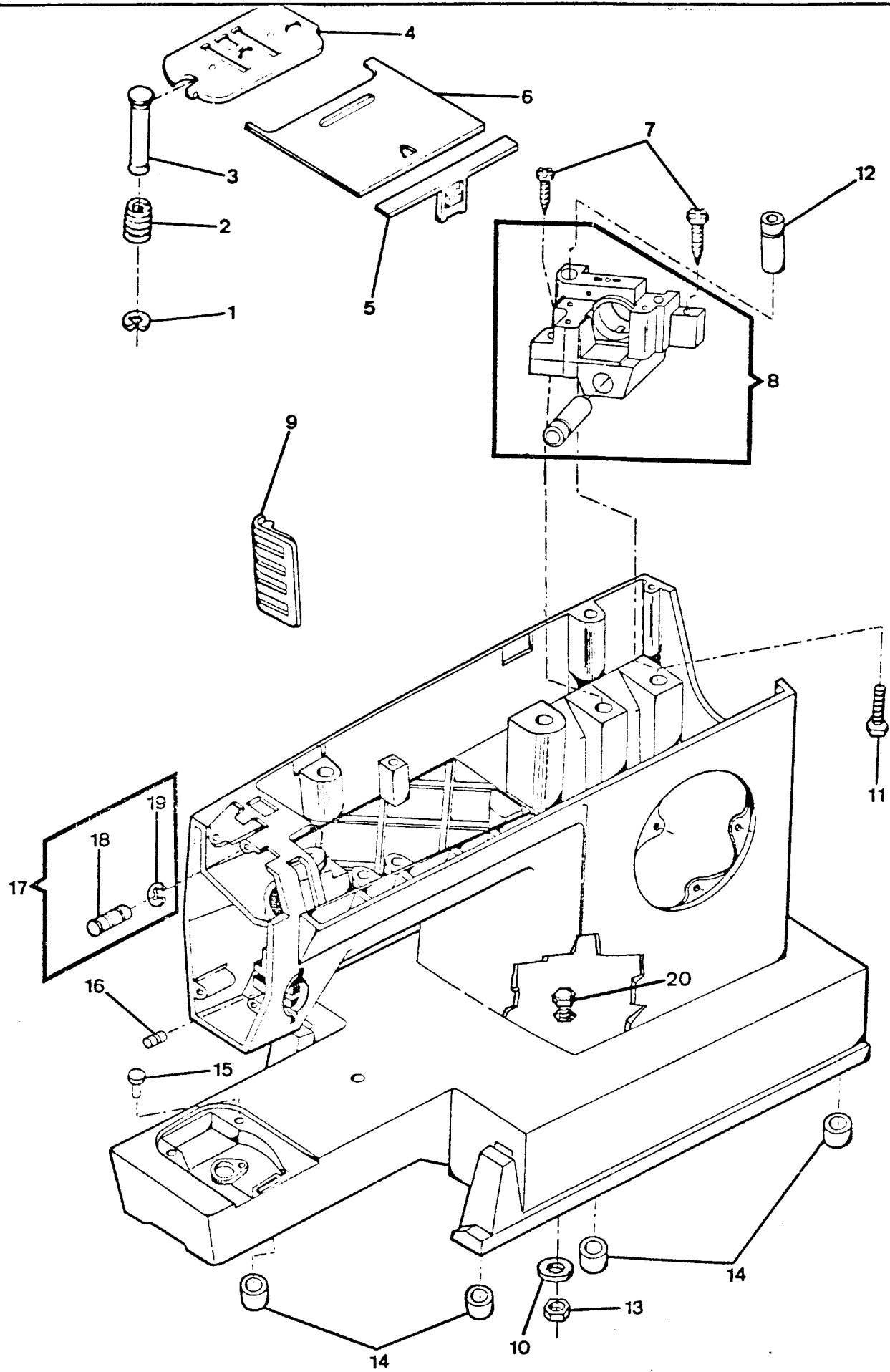
From the library of: Diamond Needle Corp

PART LIST
ARM, BED, THROAT PLATE & BED SLIDE

REF.	PART NBR	DESCRIPTION	5	5	5	5
			8	8	8	8
			1	1	1	1
			2	4	6	8
01	179926	THROAT PLATE CLAMP SPRING RETAINING RING	X	X	X	X
02	353494	THROAT PLATE CLAMP SPRING	X	X	X	X
03	353597	THROAT PLATE CLAMP	X	X	X	X
04	312777	THROAT PLATE FOR ZIG-ZAG SEWING	X	X	X	X
05	446482	BED SLIDE SPRING (SNAP-ON)	X	X	X	X
06	446481	BED SLIDE	X	X	X	X
07	113455-006	ARM SHAFT (REAR) HOUSING MOUNTING SCREW	X	X	X	X
08	446347-002	ARM SHAFT (REAR) HOUSING ASSEMBLY	X	X	X	X
09	353360-451	ARM INSERT MOTOR VENT GRILL	X	X	X	X
10	353375-451	BED (BOTTON) COVER & CABINET BOLT WASHER	X	X	X	X
11	446349-451	ARM SHAFT (REAR) HOUSING MOUNTING BOLT	X	X	X	X
12	446465-001	ARM TOP COVER SUPPORT STUD	X	X	X	X
13	514608	BED (BOTTON) COVER & CABINET BOLT NUT	X	X	X	X
14	353559-451	BED CUSHION	X	X	X	X
15	353624	THROAT PLATE POSITION PIN	X	X	X	X
16	446358	TENSION RELEASING LEVER HINGE PIN	X	X	X	X
17	353623	TENSION RELEASING LEVER HINGE PIN ASSEMBLY	X	X	X	X
18	446375	THREAD TAKE-UP LEVER LINK HINGE STUD	X	X	X	X
19	353215	THREAD TAKE-UP LEVER LINK HINGE STUD RETAINING RING	X	X	X	X
20	446346-451	BED (BOTTOM) COVER & CABINET BOLT	X	X	X	X

From the library of: Diamond Needle Corp

ARM, BED, THROAT PLATE & BED SLIDE



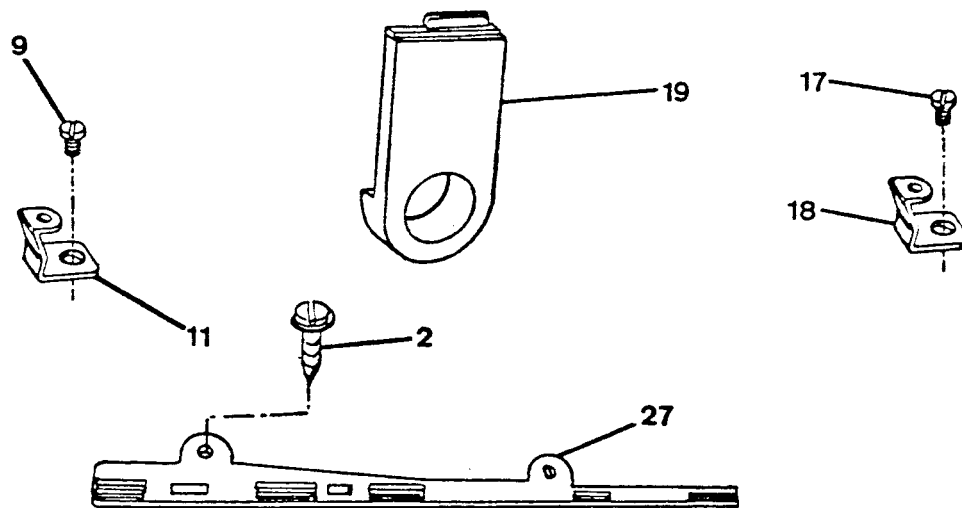
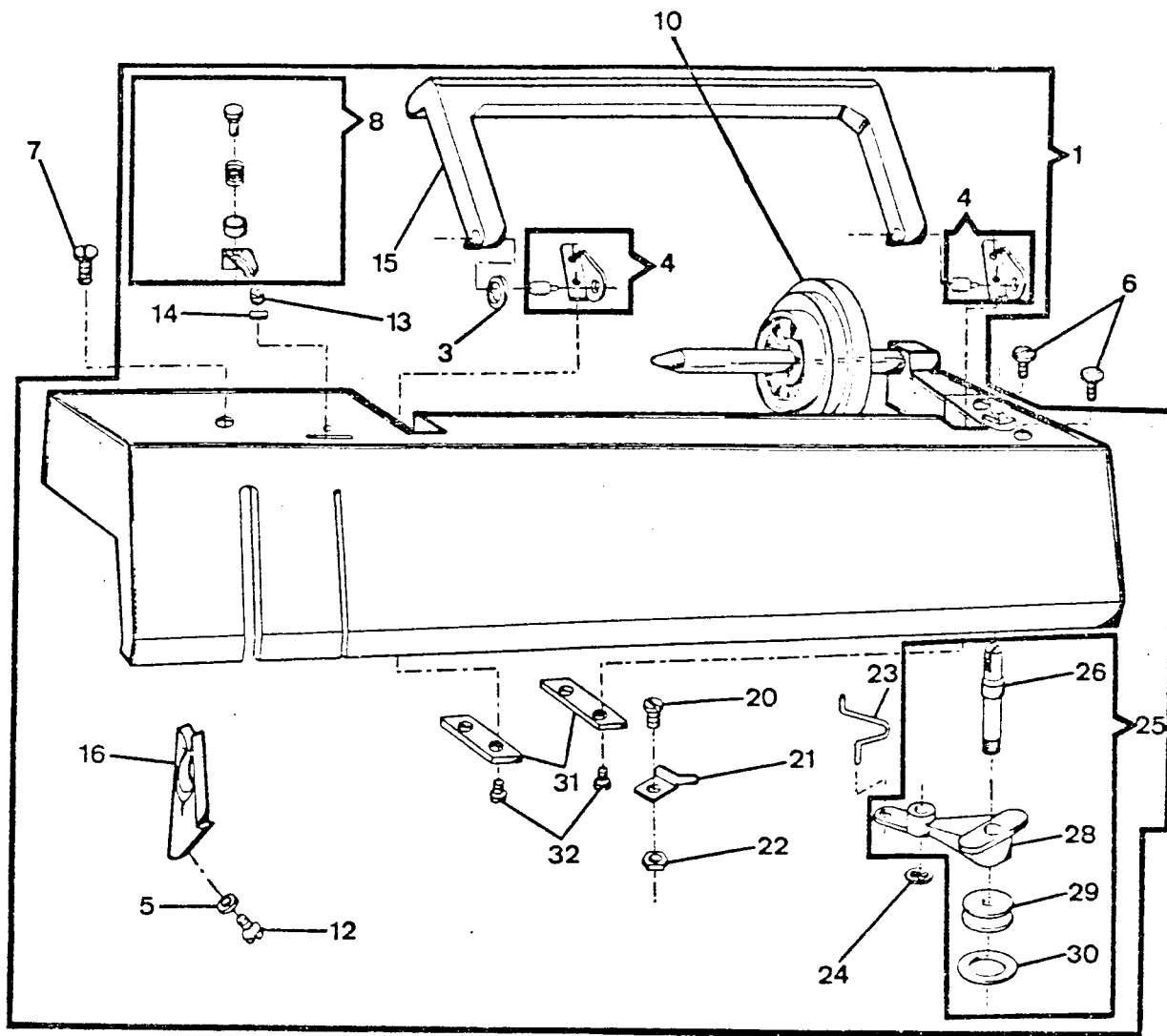
From the library of: Diamond Needle Corp

PART LIST
ARM TOP COVER

REF.	PART NBR	DESCRIPTION	5	5	5	5
			8	8	8	8
			1	1	1	1
			2	4	6	8
01	356880-005	ARM TOP COVER COMPLETE				X
01	356880-006	ARM TOP COVER COMPLETE			X	
01	356880-007	ARM TOP COVER COMPLETE		X		
01	356880-008	ARM TOP COVER COMPLETE	X			
02	113455-001	FILLER PLATE SCREW	X	X	X	X
03	353573	ARM TOP COVER MACHINE HANDLE WASHER	X	X	X	X
04	356786	ARM TOP COVER MACHINE HANDLE HINGE BRACKET	X	X	X	X
05	446138	ARM TOP COVER THREAD GUIDE SCREW WASHER	X	X	X	X
06	354895-453	ARM TOP COVER SCREW (RIGHT)	X	X	X	X
07	354895-453	ARM TOP COVER SCREW (LEFT)	X	X	X	X
08	356047	BOBBIN WINDER TENSION COMPLETE	X	X	X	X
09	354826-451	ARM TOP COVER MOUNTING BRACKET SCREW	X	X	X	X
10	179967-461	ARM TOP COVER THREAD LEAD OFF (LARGE)	X	X	X	X
11	531765	ARM TOP COVER MOUNTING BRACKET (LEFT)	X	X	X	X
12	356116-451	ARM TOP COVER THREAD GUIDE SCREW	X	X	X	X
13	141936-833	BOBBIN WINDER TENSION BRACKET ADJUSTING SCREW	X	X	X	X
14	44794	BOBBIN WINDER TENSION BRACKET ADJUSTING SCREW RETAINING RING	X	X	X	X
15	356044-452	ARM TOP COVER HANDLE	X	X	X	X
16	356050-453	ARM TOP COVER THREAD GUIDE	X	X	X	X
17	113455-001	ARM TOP COVER MOUNTING BRACKET SCREW	X	X	X	X
18	356178	ARM TOP COVER MOUNTING BRACKET (RIGHT)	X	X	X	X
19	356173-453	ARM TOP COVER SHROUDER	X	X	X	X
20	141920-453	BOBBIN WINDER STOP SCREW	X	X	X	X
21	445924	BOBBIN WINDER STOP	X	X	X	X
22	53640-819	BOBBIN WINDER STOP SCREW NUT	X	X	X	X
23	531766	BOBBIN WINDER HINGE STUD SPRING	X	X	X	X
24	445486	BOBBIN WINDER RETAINING RING	X	X	X	X
25	531767-452	BOBBIN WINDER ASSEMBLY	X	X	X	X
26	356913	BOBBIN WINDER SPINDLE COMPLETE	X	X	X	X
27	356777-452	FILLER PLATE	X	X	X	X
28	531770-452	BOBBIN WINDER FRAME	X	X	X	X
29	44440	BOBBIN WINDER PULLEY	X	X	X	X
30	15287-701	BOBBIN WINDER FRICTION RING (RUBBER)	X	X	X	X
31	356788	ARM TOP COVER HANDLE BRACKET NUT PLATE	X	X	X	X
32	356161-451	ARM TOP COVER HANDLE BRACKET SCREW	X	X	X	X

From the library of: Diamond Needle Corp

ARM TOP COVER

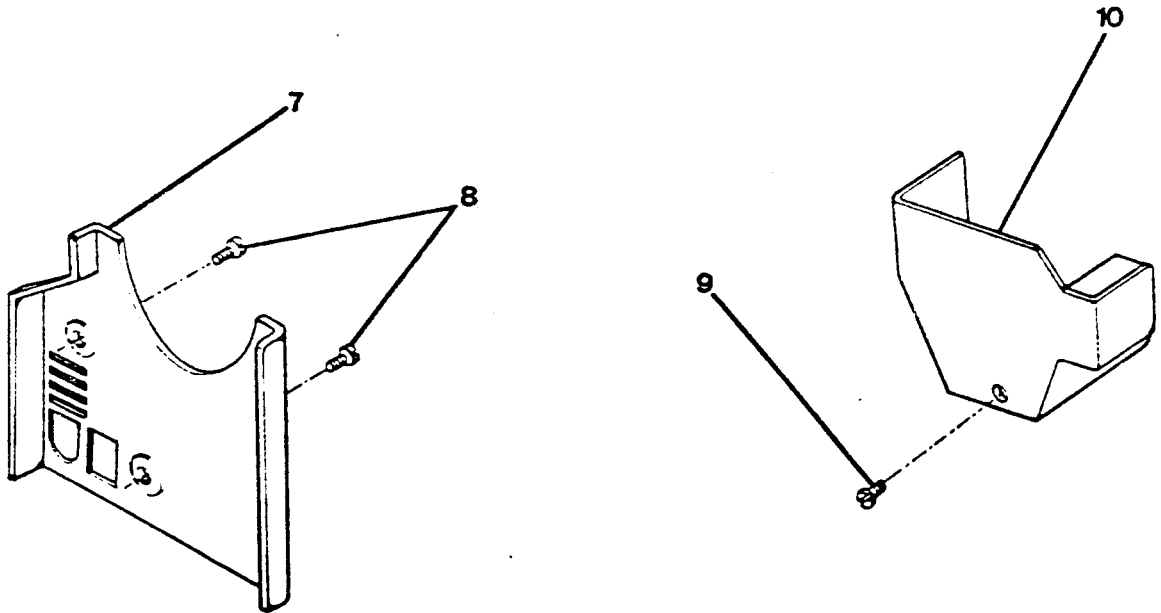
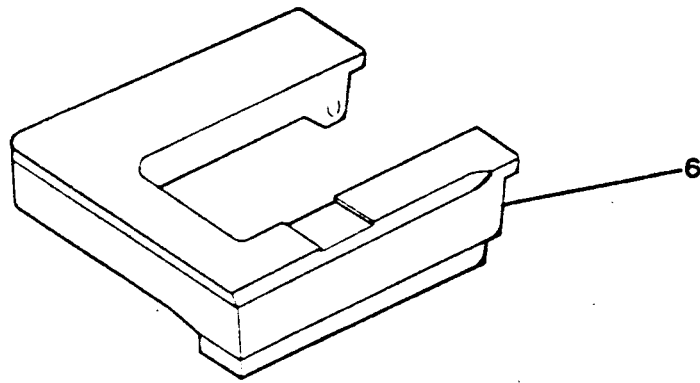
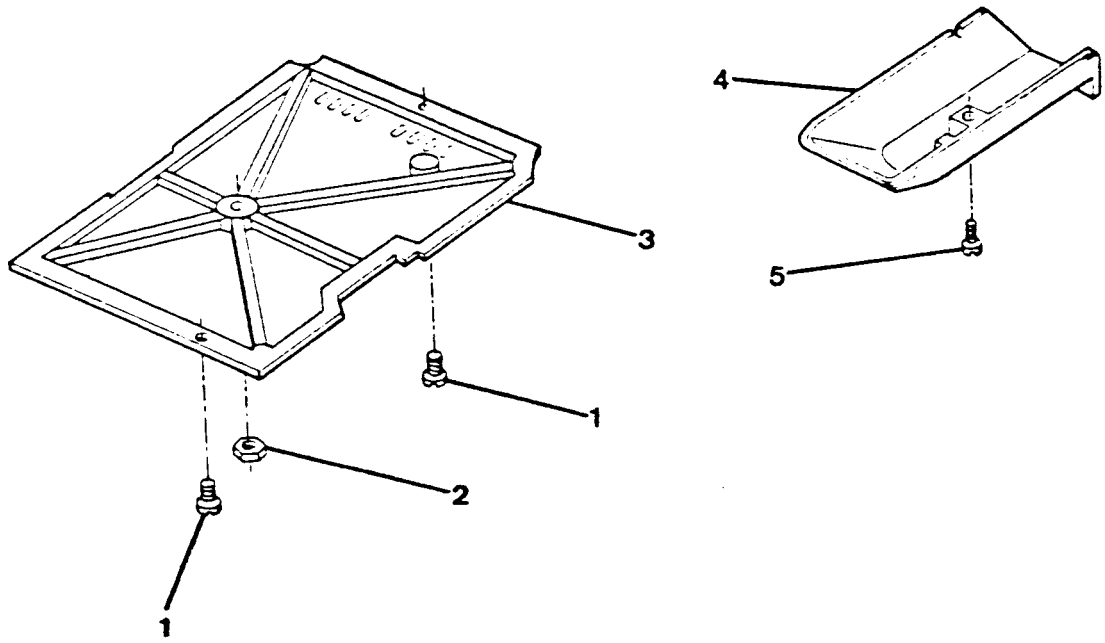


From the library of: Diamond Needle Corp

PART LIST
COVERS & ADD-ONS

REF.	PART NBR	DESCRIPTION	5	5	5	5
			8	8	8	8
			1	1	1	1
			2	4	6	8
01	113455-001	BED (BOTTOM) COVER FASTENING SCREW	X	X	X	X
02	514608	BED (BOTTOM) COVER FASTENING SCREW NUT	X	X	X	X
03	353587-453	BED (BOTTOM) COVER (PLASTIC)	X	X	X	X
04	446493-453	BED (TUBULAR) BOTTOM COVER (PLASTIC)	X	X	X	X
05	354895-453	BED (TUBULAR) BOTTOM COVER FASTENING SCREW	X	X	X	X
06	356027-452	BED EXTENSION CLOTH PLATE	X	X	X	X
07		REFER TO CHARTS ON FOLLOWING PAGES				
08	354637-453	ARM END COVER SCREW	X	X	X	X
09	354133-453	FACE PLATE SCREW	X	X	X	X
10	356051-454	FACE PLATE COMPLETE (WITHOUT GRILLE)	X	X	X	X
10	356235-452	FACE PLATE COMPLETE (WITH GRILLE)	X	X	X	X

From the library of: Diamond Needle Corp



From the library of: Diamond Needle Corp

ARM END COVER

PART NBR	U.S.	EUR.	CAN.	UK	USA CAN.	AUSTR.	NON-REG EUROPE 220V.	NON-REG 120V
446450-								5812
446450-								5814
446450-								5816
446450-								5818

From the library of: Diamond Needle Corp

ARM END COVER

PART NBR	INT. GROUP 110V	INT. GROUP 220V	INT. GROUP 110V	INT. GROUP 220V	JAPAN	MIDDLE EAST 110V	MIDDLE EAST 220V
----------	-----------------------	-----------------------	-----------------------	-----------------------	-------	------------------------	------------------------

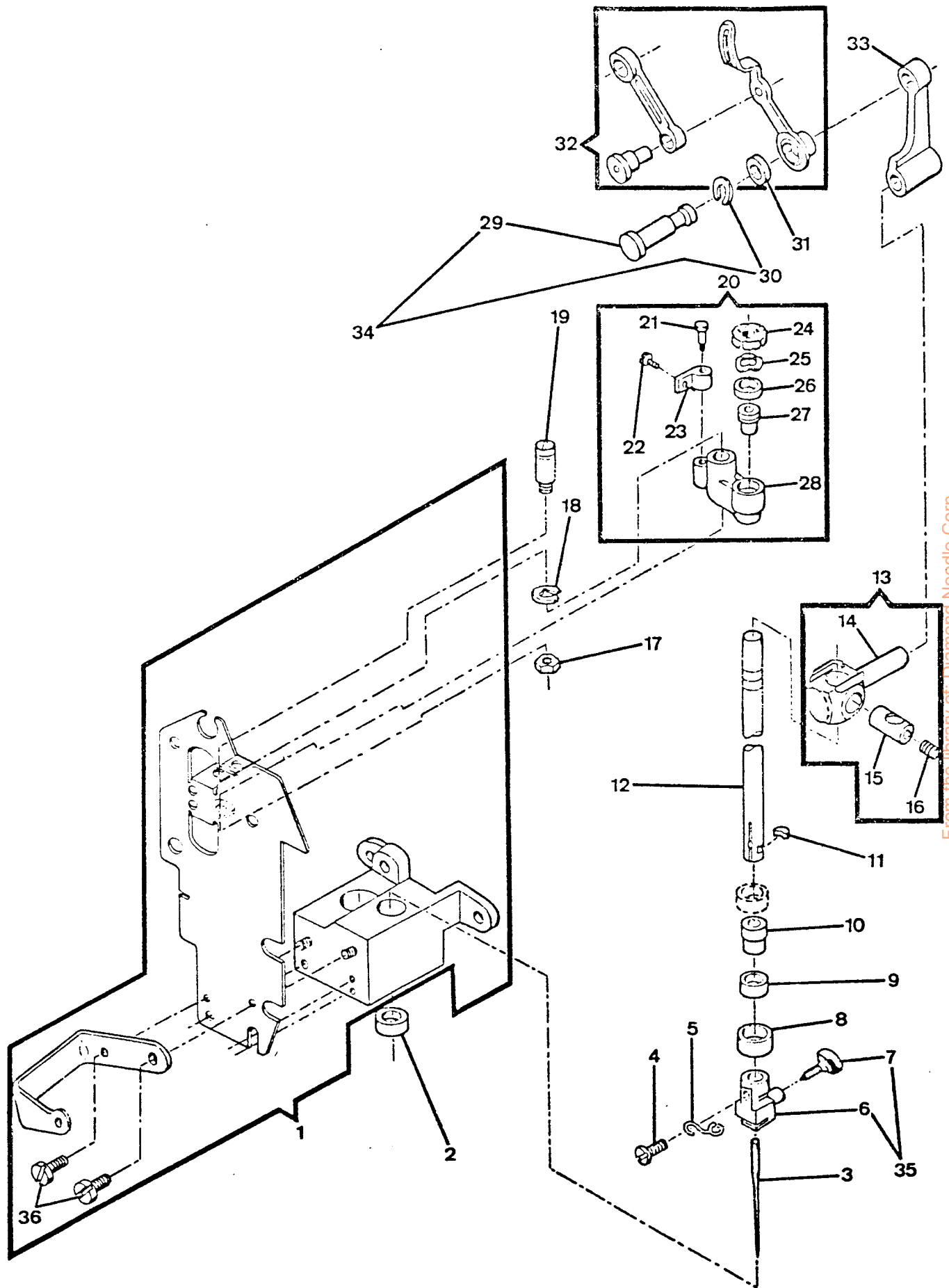
From the library of: Diamond Needle Corp

PART LIST
NEEDLE BAR

REF.	PART NBR	DESCRIPTION	5	5	5	5
			8	8	8	8
			1	1	1	1
			2	4	6	8
01	356599	NEEDLE BAR, PRESSER BAR & VIBRATING BRACKET HOUSING ASSEMBLY	X	X	X	X
02	44450	NEEDLE BAR BALL BUSHING (LOWER) SOCKET (UPPER)	X	X	X	X
03	204514-100	NEEDLE 2045 SIZE NBR 14	X	X	X	X
03	2031-FL-14	NEEDLE 2031 SIZE NBR 14 (FOR JAPAN ONLY)	X	X	X	X
04	141808-451	NEEDLE CLAMP BODY, NEEDLE CLAMP THREAD GUIDE & NEEDLE STOP SCREW	X	X	X	X
05	353629	NEEDLE CLAMP THREAD GUIDE	X	X	X	X
06	353630	NEEDLE CLAMP BODY	X	X	X	X
07	113413-451	NEEDLE THUMB SCREW	X	X	X	X
08	446361-001	NEEDLE BAR BALL BUSHING (LOWER) ADJUSTING COLLAR	X	X	X	X
09	507379	NEEDLE BAR BALL BUSHING (LOWER) SOCKET	X	X	X	X
10	446355-001	NEEDLE BAR BALL BUSHING (LOWER)	X	X	X	X
11	37943	NEEDLE BAR GIB	X	X	X	X
12	445793	NEEDLE BAR	X	X	X	X
13	353549-940	NEEDLE BAR CONNECTING STUD WITH HINGE PIN	X	X	X	X
14	353549	NEEDLE BAR CONNECTING STUD	X	X	X	X
15	37931	NEEDLE BAR CONNECTING STUD HINGE PIN	X	X	X	X
16	141916-833	NEEDLE BAR CLAMPING SCREW	X	X	X	X
17	353402-451	NEEDLE BAR VIBRATING BRACKET HINGE PIN NUT	X	X	X	X
18	445721	NEEDLE BAR VIBRATING BRACKET HINGE PIN RETAINING RING	X	X	X	X
19	446359	NEEDLE BAR VIBRATING BRACKET HINGE PIN	X	X	X	X
20	353520	NEEDLE BAR VIBRATING BRACKET COMPLETE	X	X	X	X
21	37935	NEEDLE BAR DRIVING ARM HINGE BRACKET HINGE PIN	X	X	X	X
22	141844-451	NEEDLE BAR DRIVING ARM HINGE BRACKET SCREW	X	X	X	X
23	446190	NEEDLE BAR DRIVING ARM HINGE BRACKET	X	X	X	X
24	353522	NEEDLE BAR BALL BUSHING (UPPER) RETAINING RING	X	X	X	X
25	353424	NEEDLE BAR BALL BUSHING (UPPER) WAVED WASHER	X	X	X	X
26	507379	NEEDLE BAR BALL BUSHING (UPPER) SOCKET (LOWER)	X	X	X	X
27	446355-001	NEEDLE BAR BALL BUSHING (UPPER)	X	X	X	X
28	353521	NEEDLE BAR VIBRATING BRACKET	X	X	X	X
29	446260	THREAD TAKE-UP STUD	X	X	X	X
30	445486	THREAD TAKE-UP STUD RETAINING RING	X	X	X	X
31	543531	THREAD TAKE-UP STUD THRUST WASHER	X	X	X	X
32	445672	THREAD TAKE-UP LEVER COMPLETE	X	X	X	X
33	446357	NEEDLE BAR CONNECTING LINK	X	X	X	X
34	446261	THREAD TAKE-UP STUD WITH RETAINING RING	X	X	X	X
35	353631	NEEDLE CLAMP BODY WITH SCREW	X	X	X	X
36	113480-451	NEEDLE BAR, PRESSER BAR & VIBRATING BRACKET HOUSING PLATE MOUNTING SCREW	X	X	X	X

From the library of: Diamond Needle Corp

NEEDLE BAR



From the library of: Diamond Needle Corp

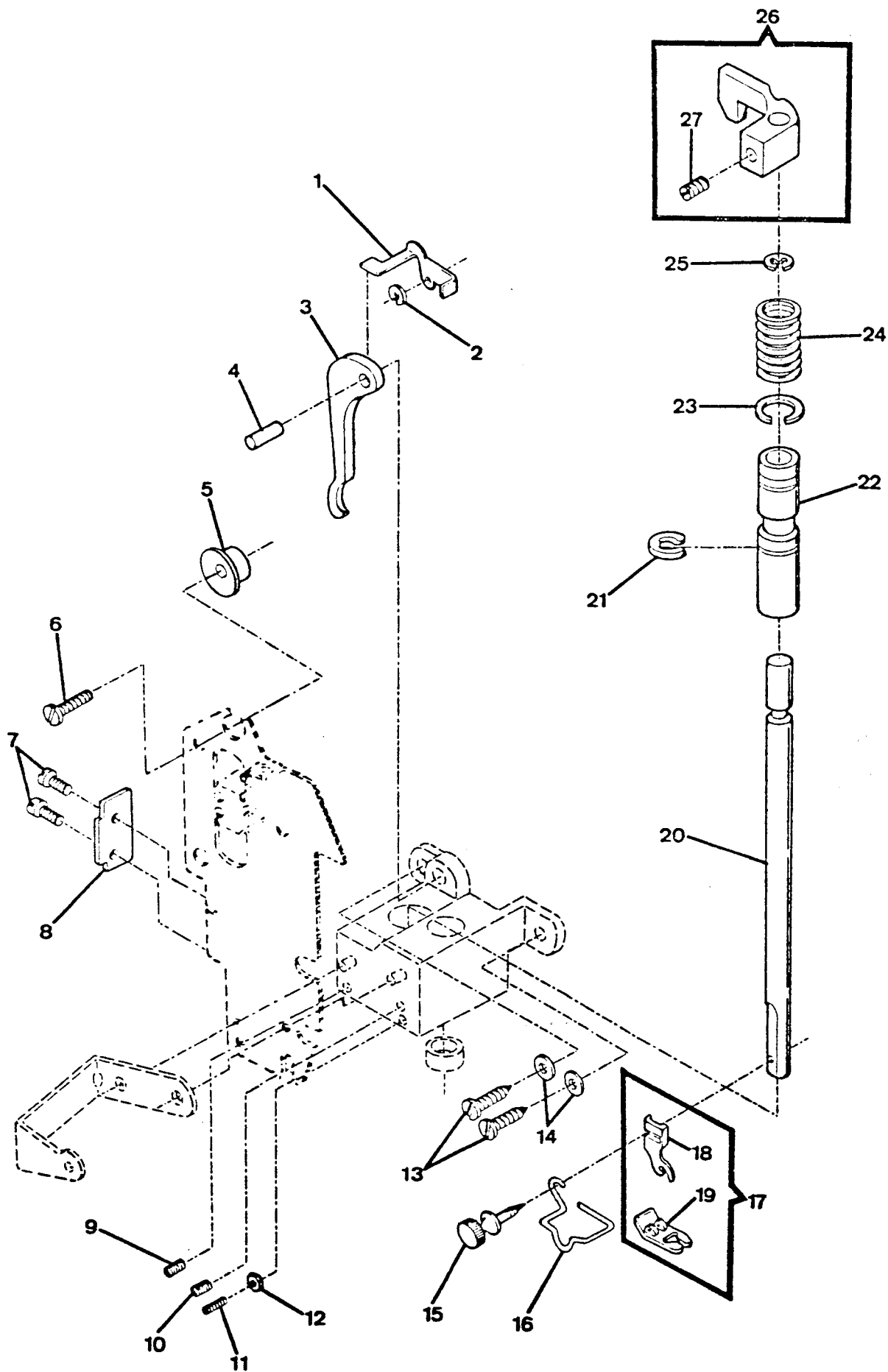
PART LIST
PRESSER BAR

REF.	PART NBR	DESCRIPTION	5	5	5	5
			8	8	8	8
			1	1	1	1
			2	4	6	8
01	445925	TENSION RELEASING LEVER	X	X	X	X
02	445486	TENSION RELEASING LEVER RETAINING RING	X	X	X	X
03	446356	PRESSER BAR LIFTER	X	X	X	X
04	446354-451	PRESSER BAR LIFTER HINGE PIN	X	X	X	X
05	531627	NEEDLE BAR, PRESSER BAR & VIBRATING BRACKET HOUSING MOUNTING BUSHING	X	X	X	X
06	113455-004	NEEDLE BAR & PRESSER BAR VIBRATING BRACKET HOUSING MOUNTING SCREW (UPPER)	X	X	X	X
07	141913-451	PRESSER BAR GUIDE BRACKET POSITIONER SCREW	X	X	X	X
08	446353	PRESSER BAR GUIDE BRACKET POSITIONER	X	X	X	X
09	354906-451	PRESSER BAR BUSHING SET SCREW	X	X	X	X
10	141938-833	NEEDLE BAR BALL BUSHING (LOWER) ADJUSTING COLLAR SET SCREW	X	X	X	X
11	354993-451	NEEDLE BAR OVER THROW SET SCREW	X	X	X	X
12	54591-451	NEEDLE BAR OVER THROW SET SCREW NUT	X	X	X	X
13	113434-451	NEEDLE BAR, PRESSER BAR & VIBRATING BRACKET HOUSING MOUNTING SCREW (LOWER)	X	X	X	X
14	353375-451	NEEDLE BAR, PRESSER BAR & VIBRATING BRACKET HOUSING MOUNTING SCREW (LOWER) WASHER	X	X	X	X
15	354135-452	PRESSER FOOT THUMB SCREW	X	X	X	X
16	116863	FINGER GUARD (OPTIONAL FOR EUROPE)	O	O	O	O
17	446372	PRESSER FOOT (SNAP-ON) COMPLETE FOR ZIG-ZAG SEWING	X	X	X	X
18	155964	PRESSER FOOT SHANK (SNAP-ON)	X	X	X	X
19	446371	PRESSER FOOT PLATE (SNAP-ON) FOR ZIG-ZAG SEWING	X	X	X	X
20	314638	PRESSER BAR	X	X	X	X
21	353252	PRESSER BAR BUSHING LOCATING RING	X	X	X	X
22	445947-001	PRESSER BAR BUSHING	X	X	X	X
23	353252	PRESSER BAR SPRING RETAINING RING	X	X	X	X
24	353214	PRESSER BAR SPRING	X	X	X	X
25	353215	PRESSER BAR SPRING RETAINING RING (UPPER)	X	X	X	X
26	353212	PRESSER BAR GUIDE BRACKET ASSEMBLY	X	X	X	X
27	141925-833	PRESSER BAR GUIDE BRACKET SET SCREW	X	X	X	X

From the library of: Diamond Needle Corp

O = OPTIONAL FOR SOME MARKETS

PRESSER BAR



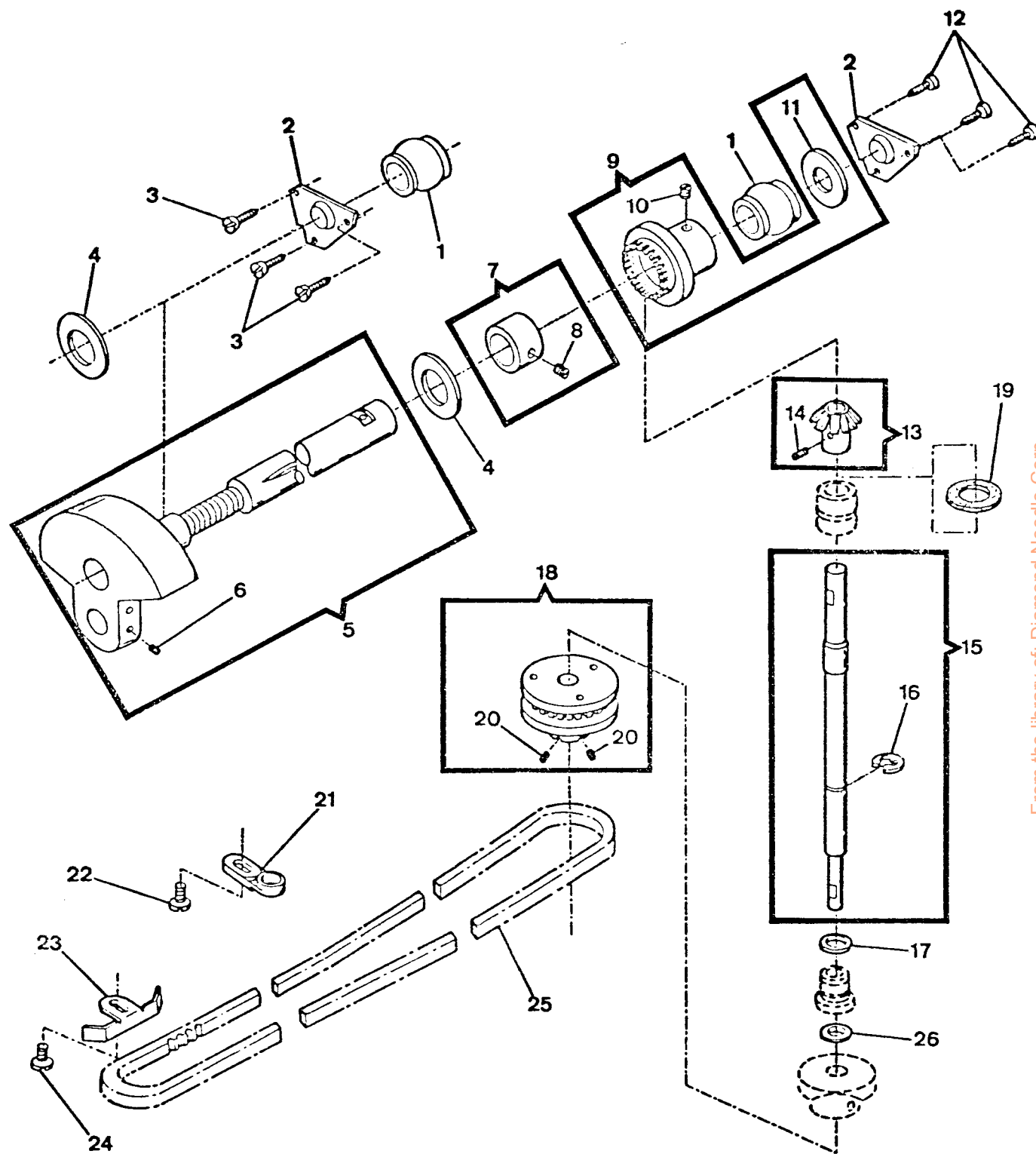
From the library of: Diamond Needle Corp

PART LIST
ARM SHAFT DRIVE

REF.	PART NBR	DESCRIPTION	5	5	5	5
			8	8	8	8
			1	1	1	1
			2	4	6	8
01	446384	ARM SHAFT BUSHING (FRONT)	X	X	X	X
02	446385	ARM SHAFT BUSHING (FRONT) RETAINING BRACKET	X	X	X	X
03	113455-001	ARM SHAFT BUSHING (FRONT) RETAINING BRACKET SCREW	X	X	X	X
04	319764	ARM SHAFT (HORIZONTAL) RETAINING COLLAR WASHER	X	X	X	X
05	531684	ARM SHAFT COMPLETE	X	X	X	X
06	354105-833	NEEDLE BAR CRANK POSITION SET SCREW	X	X	X	X
07	353580	ARM SHAFT (HORIZONTAL) RETAINING COLLAR	X	X	X	X
08	113500-451	ARM SHAFT (HORIZONTAL) RETAINING COLLAR SET SCREW	X	X	X	X
09	353272	ARM SHAFT (HORIZONTAL) BEVEL GEAR & FEED LIFTING (ECCENTRIC) COMPLETE	X	X	X	X
10	354813-451	ARM SHAFT (HORIZONTAL) BEVEL GEAR & FEED LIFTING ECCENTRIC SET SCREW	X	X	X	X
11	353413	ARM SHAFT (HORIZONTAL) BEVEL GEAR & FEED LIFTING ECCENTRIC WASHER (PLASTIC)	X	X	X	X
12	113455-001	ARM SHAFT BUSHING (REAR) RETAINING BRACKET SCREW	X	X	X	X
13	353273	ARM SHAFT (UPRIGHT) BEVEL GEAR (PLASTIC)	X	X	X	X
14	354105-833	ARM SHAFT (UPRIGHT) BEVEL GEAR SET SCREW	X	X	X	X
15	179952	ARM SHAFT (UPRIGHT) ASSEMBLY	X	X	X	X
16	353215	ARM SHAFT (UPRIGHT) RETAINING RING	X	X	X	X
17	353394	ARM SHAFT (UPRIGHT) RETAINING RING WASHER	X	X	X	X
18	353438-001	ARM SHAFT (UPRIGHT) BELT DRIVE PULLEY ASSEMBLY COMPLETE	X	X	X	X
19	356819	ARM SHAFT (UPRIGHT) FELT WASHER	X	X	X	X
20	354906-451	ARM SHAFT (UPRIGHT) BELT DRIVE PULLEY RETAINING COLLAR SET SCREW	X	X	X	X
21	531630	ROTATING HOOK DRIVE BELT TENSION ADJUSTER	X	X	X	X
22	113453-003	ROTATING HOOK DRIVE BELT TENSIONER SCREW	X	X	X	X
23	446376	BELT RETAINER (LEFT)	X	X	X	X
24	113455-001	BELT RETAINER (LEFT) SCREW	X	X	X	X
25	446237	BELT (ROTATING HOOK DRIVE)	X	X	X	X
26	319826	ARM SHAFT (UPRIGHT) BELT DRIVE PULLEY WASHER	X	X	X	X

From the library of: Diamond Needle Corp

ARM SHAFT DRIVE



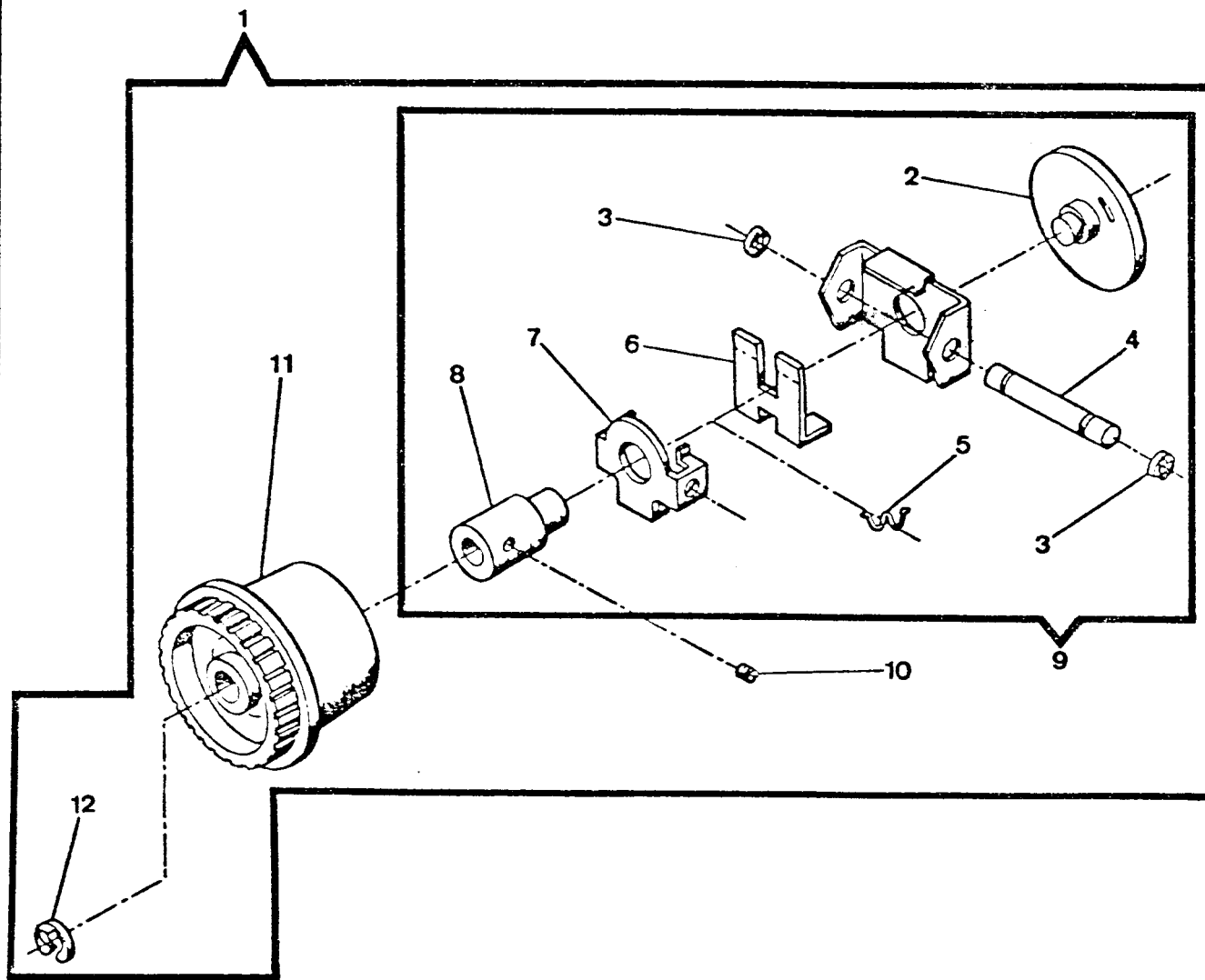
From the library of: Diamond Needle Corp

PART LIST
HAND WHEEL

REF.	PART NBR	DESCRIPTION	5	5	5	5
			8	8	8	8
			1	1	1	1
			2	4	6	8
01	446391-454	HAND WHEEL (ELECTRIC) COMPLETE	X	X	X	X
02	446297-904	HAND WHEEL DISENGAGING CLUTCH ENGAGING PLATE COVER	X	X	X	X
03	445721	HAND WHEEL DISENGAGING CLUTCH ENGAGING PLATE HINGE PIN RETAINING RING	X	X	X	X
04	319560	HAND WHEEL DISENGAGING CLUTCH ENGAGING PLATE HINGE PIN	X	X	X	X
05	531628	HAND WHEEL DISENGAGING CLUTCH ACTUATING SPRING	X	X	X	X
06	319567	HAND WHEEL DISENGAGING CLUTCH BUSHING PLATE RETAINER	X	X	X	X
07	319566	HAND WHEEL DISENGAGING CLUTCH BUSHING PLATE	X	X	X	X
08	446390	HAND WHEEL DISENGAGING CLUTCH BUSHING	X	X	X	X
09	446343-453	HAND WHEEL DISENGAGING CLUTCH BUSHING COMPLETE	X	X	X	X
10	354813-451	HAND WHEEL DISENGAGING CLUTCH BUSHING SCREW	X	X	X	X
11	446386-454	HAND WHEEL (PLASTIC) (ELECTRIC)	X	X	X	X
12	446387	HAND WHEEL RETAINING RING (TREADLE/ELECTRIC)	X	X	X	X

From the library of: Diamond Needle Corp

HAND WHEEL

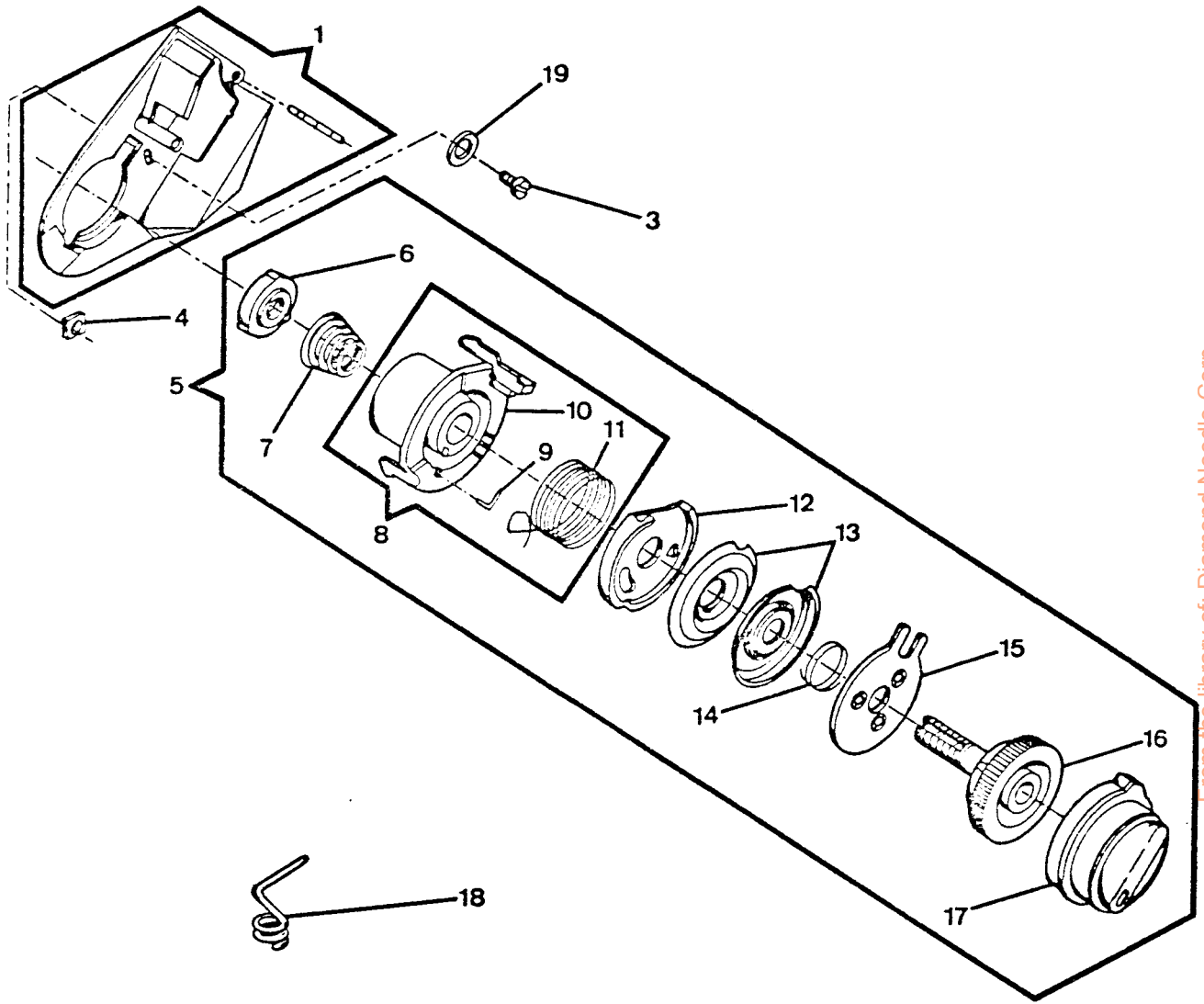


From the library of: Diamond Needle Corp

PART LIST
TENSION

REF.	PART NBR	DESCRIPTION	5	5	5	5
			8	8	8	8
			1	1	1	1
			2	4	6	8
01	356040-452	TENSION MECHANISM SHROUDER ASSEMBLY	X	X	X	X
03	355236-451	TENSION MECHANISM SHROUDER SCREW	X	X	X	X
04	514698-451	TENSION MECHANISM SHROUDER SCREW NUT	X	X	X	X
05	356088-457	TENSION MECHANISM ASSEMBLY	X	X	X	X
06	356095	TENSION STUD NUT	X	X	X	X
07	356096	TENSION SPRING	X	X	X	X
08	356245	TENSION MECHANISM SUPPORT ASSEMBLY	X	X	X	X
09	356246-900	TENSION MECHANISM SUPPORT PIN	X	X	X	X
10	356089	TENSION MECHANISM SUPPORT	X	X	X	X
11	356097	THREAD TAKE-UP SPRING	X	X	X	X
12	356091	THREAD TAKE-UP SPRING THREAD GUARD	X	X	X	X
13	356094	TENSION DISC	X	X	X	X
14	356216	TENSION DISC PRESSURE PLATE SPRING	X	X	X	X
15	356177	TENSION DISC PRESSURE PLATE	X	X	X	X
16	356092-451	TENSION INDICATOR WITH STUD	X	X	X	X
17	356090-457	TENSION INDICATOR DIAL	X	X	X	X
18	445784	THREAD GUIDE (LOWER)	X	X	X	X
19	356443	TENSION MECHANISM SHROUDER SCREW WASHER	X	X	X	X

From the library of: Diamond Needle Corp



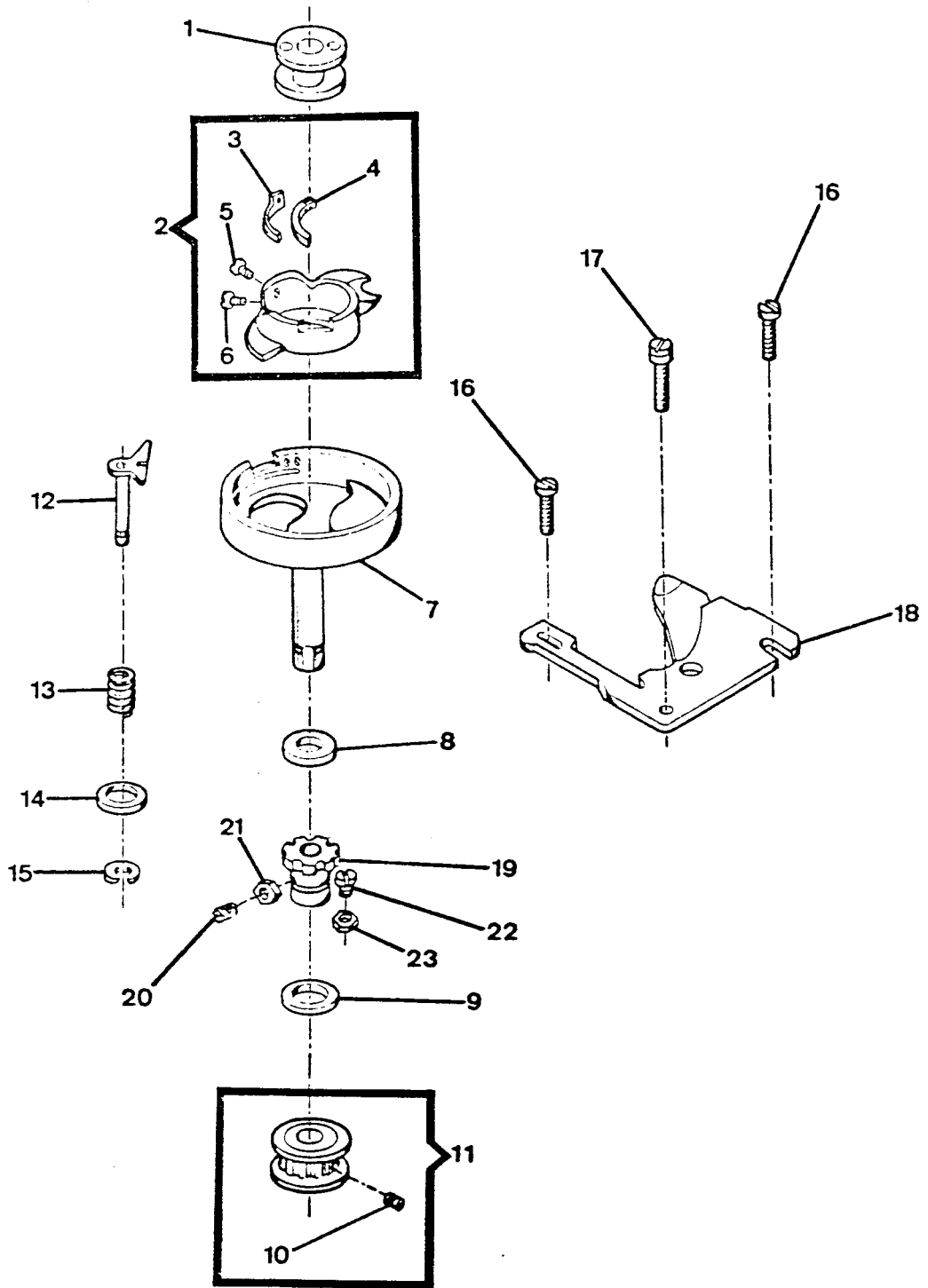
From the library of: Diamond Needle Corp

PART LIST
ROTATING HOOK

REF.	PART NBR	DESCRIPTION	5	5	5	5
			8	8	8	8
			1	1	1	1
			2	4	6	8
01	172336	ROTATING HOOK BOBBIN (PLASTIC)	X	X	X	X
02	421325	ROTATING HOOK BOBBIN CASE	X	X	X	X
03	314715	ROTATING HOOK BOBBIN CASE TENSION SPRING	X	X	X	X
04	356490-451	ROTATING HOOK BOBBIN CASE TENSION SPRING SEGMENT	X	X	X	X
05	354183-452	ROTATING HOOK BOBBIN CASE TENSION REGULATING SCREW	X	X	X	X
06	139975-452	ROTATING HOOK BOBBIN CASE TENSION SPRING SEGMENT SCREW	X	X	X	X
07	353366	ROTATING HOOK COMPLETE	X	X	X	X
07	SK-4366	ROTATING HOOK COMPLETE (FOR JAPAN)	X	X	X	X
08	353453	ROTATING HOOK WEAR WASHER	X	X	X	X
09	382861-906	ROTATING HOOK BELT DRIVE PULLEY WASHER	X	X	X	X
10	141803-451	ROTATING HOOK BELT DRIVE PULLEY SCREW	X	X	X	X
11	446235	ROTATING HOOK BELT DRIVE PULLEY	X	X	X	X
12	353511	ROTATING HOOK BOBBIN CASE RETAINING PLATE ASSEMBLY	X	X	X	X
13	44892	ROTATING HOOK BOBBIN CASE RETAINING PLATE STUD SPRING	X	X	X	X
14	445808	ROTATING HOOK BOBBIN CASE RETAINING PLATE STUD WASHER	X	X	X	X
15	353509	ROTATING HOOK BOBBIN CASE RETAINING PLATE RETAINING RING	X	X	X	X
16	113430-451	ROTATING HOOK BOBBIN CASE POSITION PLATE SCREW	X	X	X	X
17	113430-451	ROTATING HOOK BOBBIN CASE RETAINING PLATE (ADJUSTABLE & POSITION PLATE) SCREW	X	X	X	X
18	44873-001	ROTATING HOOK BOBBIN CASE POSITION PLATE	X	X	X	X
19	353410-900	ROTATING HOOK BUSHING	X	X	X	X
20	141938-833	ROTATING HOOK BUSHING SET SCREW	X	X	X	X
21	353367-451	ROTATING HOOK BUSHING SET SCREW NUT	X	X	X	X
22	141844-451	ROTATING HOOK BUSHING ADJUSTING SCREW	X	X	X	X
23	44502-900	ROTATING HOOK BUSHING ADJUSTING SCREW NUT	X	X	X	X

From the library of: Diamond Needle Corp

ROTATING HOOK

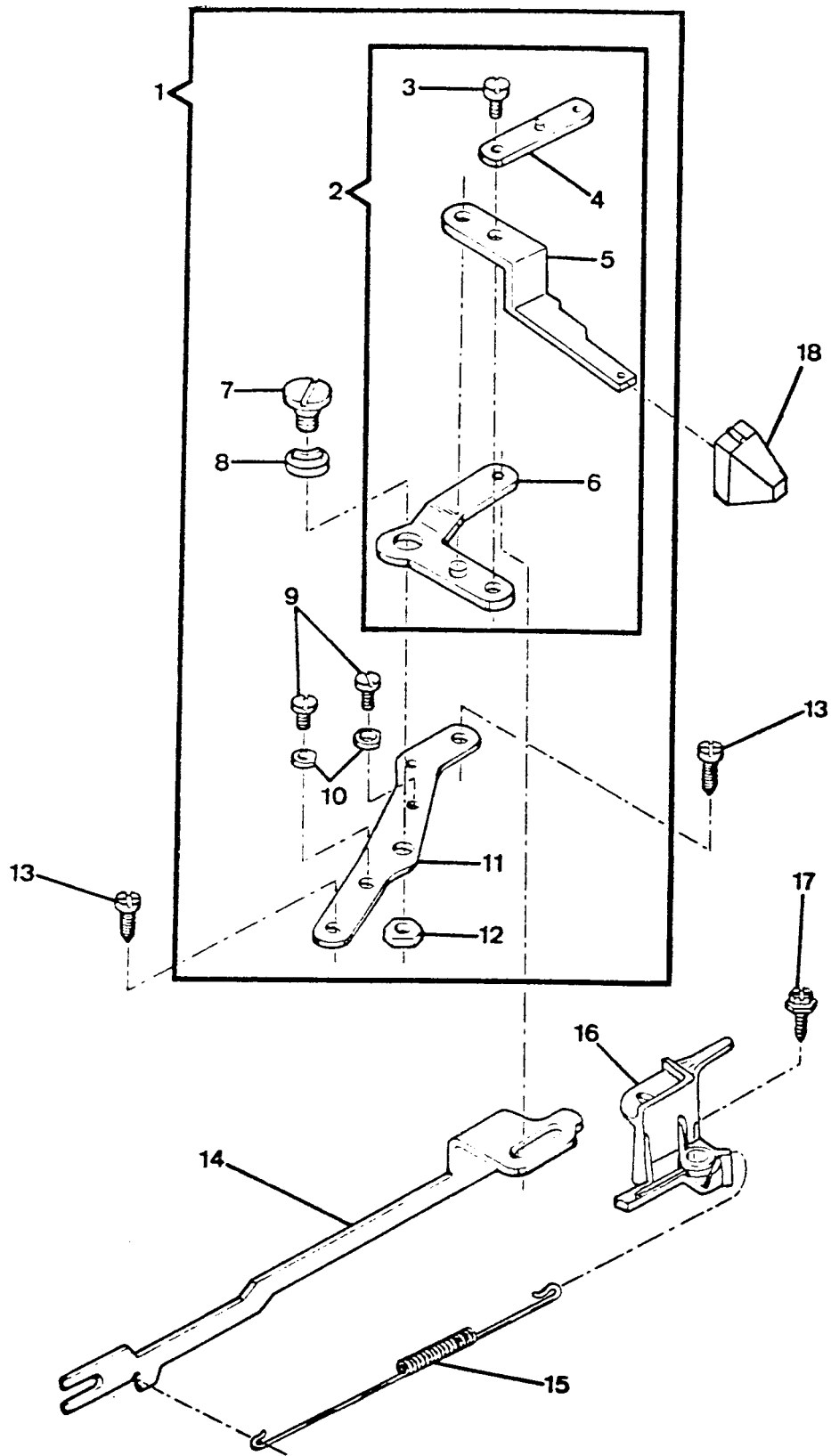


From the library of: Diamond Needle Corp

PART LIST
BIGHT AMPLITUDE

REF.	PART NBR	DESCRIPTION	5	5	5	5
			8	8	8	8
			1	1	1	1
			2	4	6	8
01	356113	BIGHT AMPLITUDE CONTROL LEVER MOUNTING BRACKET COMPLETE	X	X	X	X
02	356114	BIGHT AMPLITUDE CONTROL LEVER SUB-ASSEMBLY	X	X	X	X
03	139866-451	BIGHT AMPLITUDE CONTROL LEVER SCREW	X	X	X	X
04	44556	BUTTONHOLER BIGHT CONTROL CAM FOLLOWER LEVER LINK (LEFT)	X	X	X	X
05	356061	BIGHT AMPLITUDE CONTROL LEVER	X	X	X	X
06	37246	BIGHT AMPLITUDE CONTROL LEVER LINK	X	X	X	X
07	354825-451	BIGHT AMPLITUDE CONTROL LEVER LINK HINGE SCREW	X	X	X	X
08	49204	BIGHT AMPLITUDE CONTROL LEVER LINK HINGE SCREW FRICTION WASHER	X	X	X	X
09	141913-451	BIGHT AMPLITUDE CONTROL LEVER LINK STOP SCREW	X	X	X	X
10	446904	BIGHT AMPLITUDE CONTROL LEVER LINK STOP	X	X	X	X
11	531793	BIGHT AMPLITUDE CONTROL LEVER MOUNTING BRACKET	X	X	X	X
12	54591-451	BIGHT AMPLITUDE CONTROL LEVER LINK HINGE SCREW NUT	X	X	X	X
13	113455-001	BIGHT AMPLITUDE CONTROL LEVER MOUNTING BRACKET SCREW	X	X	X	X
14	37933-002	NEEDLE BAR DRIVING ARM	X	X	X	X
15	37942	NEEDLE BAR DRIVING ARM TENSION SPRING	X	X	X	X
16	445780	LIGHT LEAD SHIELD & NEEDLE BAR DRIVING ARM TENSION SPRING MOUNTING PLATE	X	X	X	X
17	113455-004	LIGHT LEAD SHIELD & NEEDLE BAR DRIVING ARM TENSION SPRING MOUNTING PLATE SCREW	X	X	X	X
18	356204-453	BIGHT AMPLITUDE CONTROL LEVER KNOB (LIGHT BUFF)	X	X	X	X

From the library of: Diamond Needle Corp



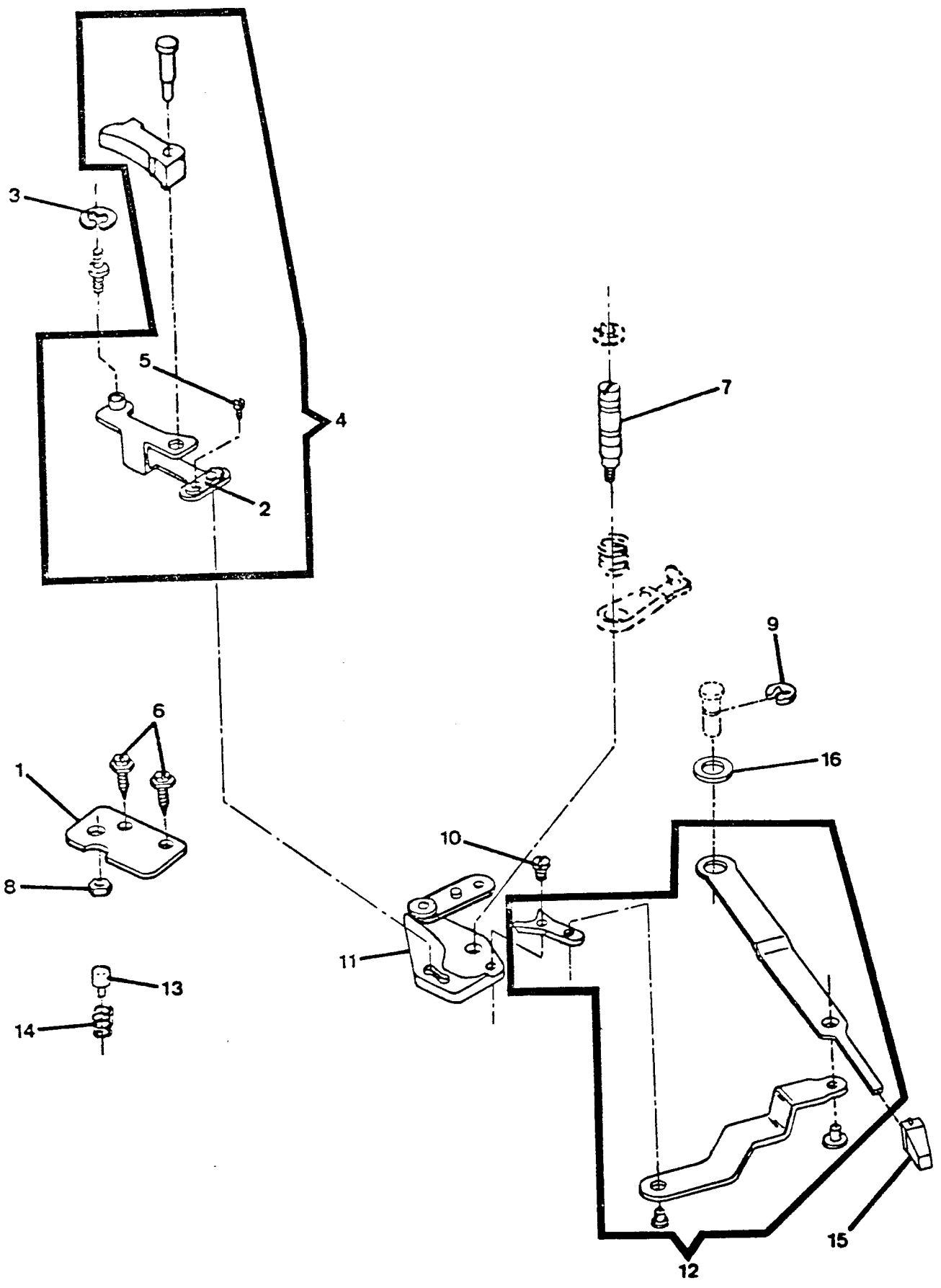
From the library of: Diamond Needle Corp

PART LIST
NEEDLE POSITION

REF.	PART NBR	DESCRIPTION	5	5	5	5
			8	8	8	8
			1	1	1	1
			2	4	6	8
01	446401	NEEDLE POSITION SELECTOR LEVER ADJUSTING PLATE	X	X	X	X
02	531736	NEEDLE POSITION SELECTOR LEVER BRACKET FOLLOWER STUD ARM ASSEMBLY	X	X	X	X
03	445721	NEEDLE BAR DRIVING ARM SLIDE BRACKET RETAINING RING	X	X	X	X
04	356735	NEEDLE BAR DRIVING ARM SLIDE BRACKET COMPLETE	X	X	X	X
05	141913-451	NEEDLE POSITION LEVER BRACKET STUD ARM SET SCREW	X	X	X	X
06	113455-001	NEEDLE POSITION SELECTOR LEVER ADJUSTING PLATE SCREW	X	X	X	X
07	356774-900	DISC FOLLOWER STUD	X	X	X	X
08	54591-451	NEEDLE POSITION SELECTOR LEVER ADJUSTING PLATE SCREW NUT	X	X	X	X
09	445486	NEEDLE POSITION SELECTOR LEVER RETAINING RING	X	X	X	X
10	141913-451	NEEDLE POSITION SELECTOR LEVER SCREW	X	X	X	X
11	356943	NEEDLE POSITION SELECTOR LEVER BRACKET ASSEMBLY	X	X	X	X
12	356812	NEEDLE POSITION SELECTOR LEVER COMPLETE	X	X	X	X
13	356228	NEEDLE POSITION SELECTOR LEVER BRACKET POSITIONING PIN	X	X	X	X
14	444800	NEEDLE POSITION SELECTOR LEVER BRACKET POSITIONING PIN SPRING	X	X	X	X
15	356204-453	NEEDLE POSITION SELECTOR LEVER KNOB (PLASTIC) (LIGHT BUFF)	X	X	X	X
16	444923-454	NEEDLE POSITION SELECTOR LEVER HINGE STUD WASHER	X	X	X	X

From the library of: Diamond Needle Corp

NEEDLE POSITION



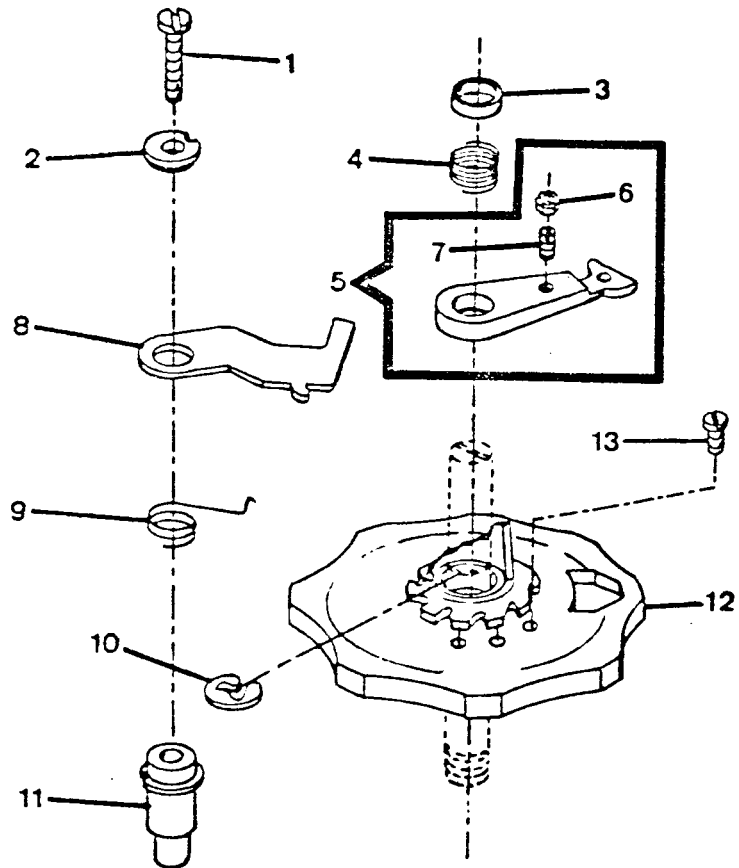
From the library of: Diamond Needle Corp

PART LIST
PATTERN SELECTOR

REF.	PART NBR	DESCRIPTION	5	5	5	5
			8	8	8	8
			1	1	1	1
			2	4	6	8
01	354826-451	DISC FOLLOWER DISENGAGING LEVER SCREW	X	X	X	X
02	356751	DISC FOLLOWER DISENGAGING LEVER BUSHING	X	X	X	X
03	353548	DISC FOLLOWER STUD WASHER	X	X	X	X
04	356768	DISC FOLLOWER SPRING	X	X	X	X
05	356770	DISC FOLLOWER COMPLETE	X	X	X	X
06	531699-451	DISC FOLLOWER ADJUSTING SCREW STUD NUT	X	X	X	X
07	445341	DISC FOLLOWER ADJUSTING SCREW STUD	X	X	X	X
08	356750	DISC FOLLOWER DISENGAGING LEVER	X	X	X	X
09	356752	DISC FOLLOWER DISENGAGING LEVER SPRING	X	X	X	X
10	444921	DISC SELECTOR CAM RETAINING RING	X	X	X	X
11	356753	DISC FOLLOWER DISENGAGING LEVER STUD	X	X	X	X
12	356749-461	PATTERN SELECTOR CAM/DIAL	X	X	X	X
13	354810-451	PATTERN SELECTOR CAM POSITIONER SCREW	X	X	X	

From the library of: Diamond Needle Corp

PATTERN SELECTOR



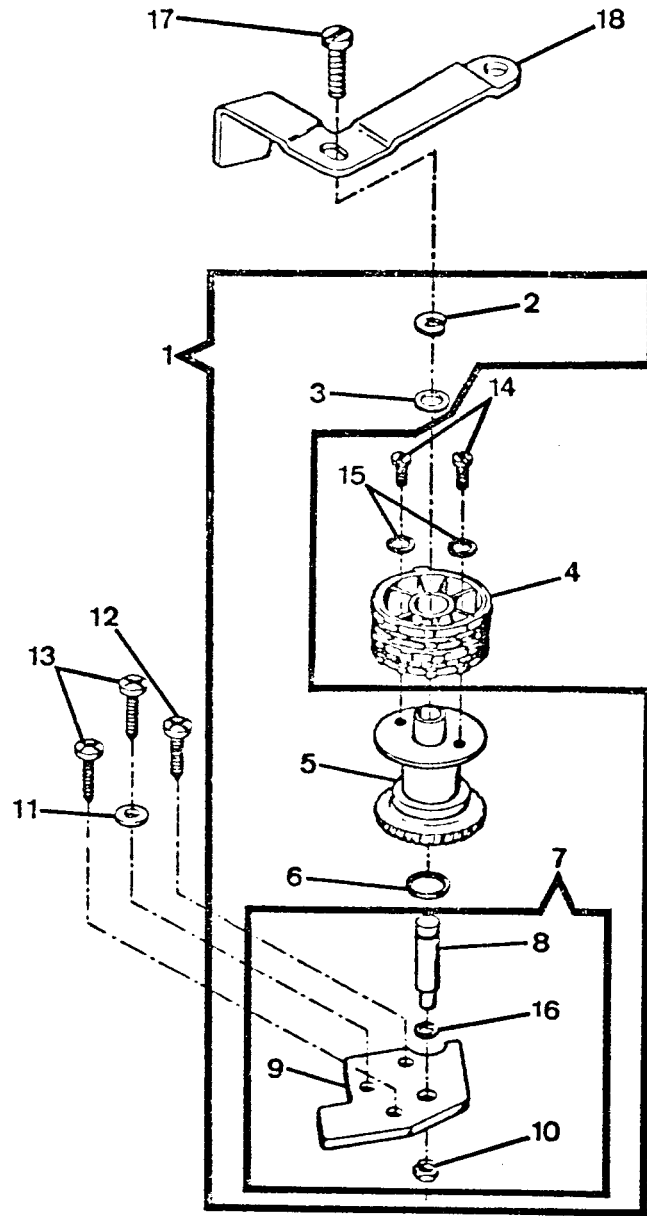
From the library of: Diamond Needle Corp

PART LIST
CAM STACK

REF.	PART NBR	DESCRIPTION	5	5	5	5
			8	8	8	8
			1	1	1	1
			2	4	6	8
01	356739	DISC DRIVING GEAR COMPLETE	X	X	X	X
02	444921	DISC DRIVING GEAR RETAINING RING	X	X	X	X
03	444923-453	DISC DRIVING GEAR SHAFT FRICTION WASHER	X	X	X	X
04	356740	DISC STACK (PLASTIC)	X	X	X	X
05	356741	DISC DRIVING GEAR ASSEMBLY	X	X	X	X
06	353424	DISC DRIVING GEAR SHAFT WAVE WASHER	X	X	X	X
07	531742	DISC DRIVING GEAR SHAFT MOUNTING PLATE ASSEMBLY	X	X	X	X
08	531743	DISC DRIVING GEAR SHAFT	X	X	X	X
09	353575	DISC DRIVING GEAR SHAFT MOUNTING PLATE	X	X	X	X
10	53648-451	DISC DRIVING GEAR SHAFT NUT	X	X	X	X
11	353375-451	DISC DRIVING GEAR SHAFT MOUNTING PLATE SCREW WASHER	X	X	X	X
12	113455-001	DISC DRIVING GEAR SHAFT MOUNTING PLATE SCREW	X	X	X	X
13	113435-451	DISC DRIVING GEAR SHAFT MOUNTING PLATE SCREW	X	X	X	X
14	141920-452	DISC STACK POSITIONING SCREW	X	X	X	X
15	446138	DISC STACK POSITIONING SCREW WASHER	X	X	X	X
16	353488	DISC DRIVING GEAR SHAFT WASHER	X	X	X	X
17	354654-451	DISC DRIVING GEAR (COMPLETE) SUPPORT BRACKET MOUNTING SCREW	X	X	X	X
18	356778	DISC DRIVING GEAR (COMPLETE) SUPPORT BRACKET	X	X	X	X

From the library of: Diamond Needle Corp

CAM STACK



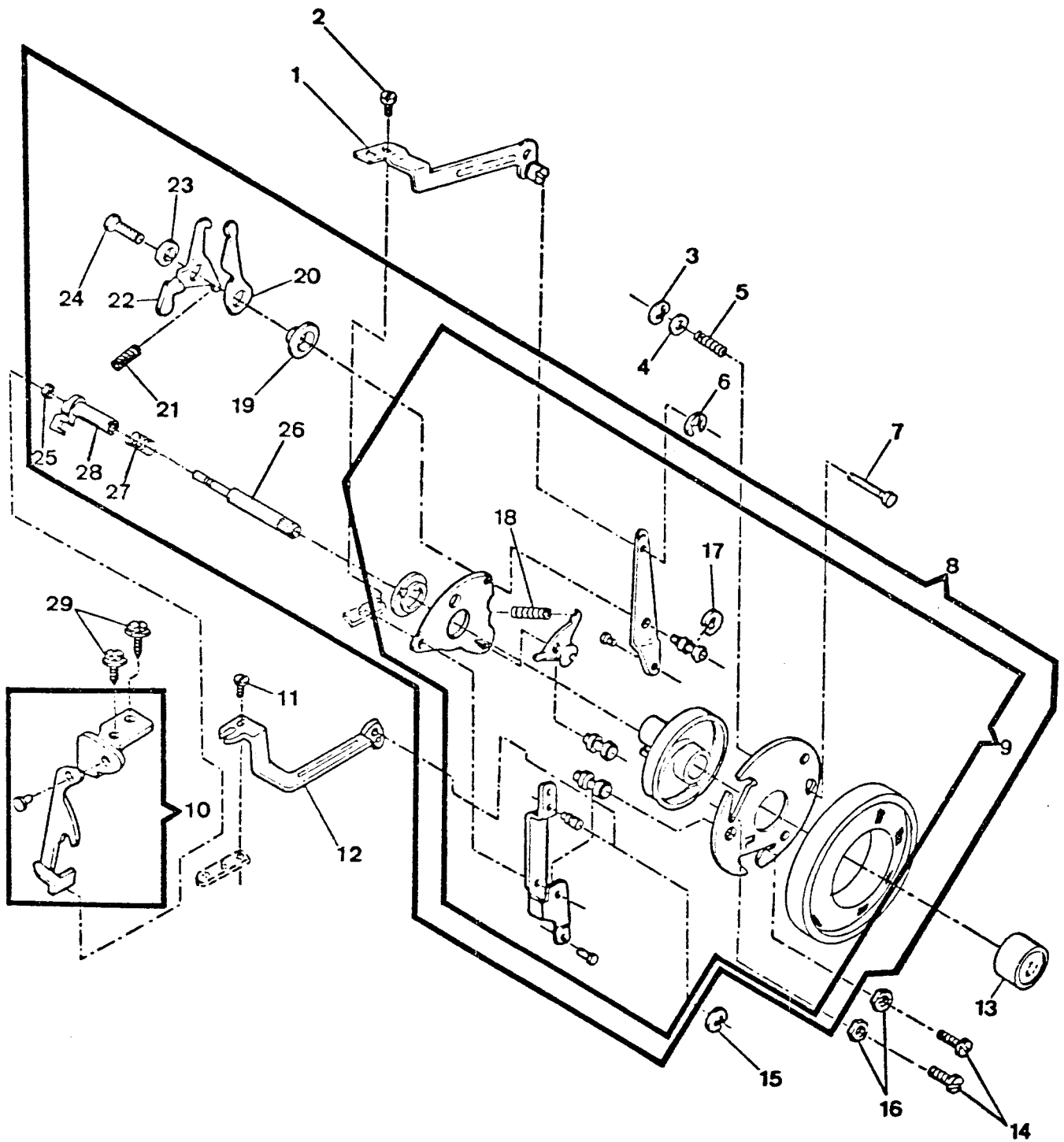
From the library of: Diamond Needle Corp

PART LIST
 BUTTONHOLER & FEED REGULATOR CAM

REF.	PART NBR	DESCRIPTION	5	5	5	5
			8	8	8	8
			1	1	1	1
			2	4	6	8
01	353536	BUTTONHOLER NEEDLE POSITION CAM FOLLOWER LEVER LINK (RIGHT)	X	X	X	X
02	141913-451	BUTTONHOLER NEEDLE POSITION CAM FOLLOWER LEVER LINK (LEFT & RIGHT) SCREW	X	X	X	X
03	408030	BUTTONHOLER & FEED REGULATOR MECHANISM MOUNTING PLATE STUD RETAINING RING	X	X	X	X
04	445808	BUTTONHOLER & FEED REGULATOR MECHANISM MOUNTING PLATE STUD SPRING WASHER	X	X	X	X
05	179949	BUTTONHOLER & FEED REGULATOR MECHANISM MOUNTING PLATE STUD SPRING	X	X	X	X
06	445486	BUTTONHOLER BIGHT CONTROL CAM FOLLOWER LEVER LINK (RIGHT) RETAINING RING	X	X	X	X
07	356230	BUTTONHOLER & FEED REGULATOR MECHANISM MOUNTING PLATE STUD	X	X	X	X
08	356792-457	BUTTONHOLER & FEED REGULATOR CAM COMPLETE	X	X	X	X
09	356793-457	BUTTONHOLER & FEED REGULATOR CAM ASSEMBLY	X	X	X	X
10	353304	FEED REGULATOR CONTROL ARM ASSEMBLY	X	X	X	X
11	141913-451	BUTTONHOLER BIGHT CONTROL CAM FOLLOWER LEVER LINK (LEFT & RIGHT) SCREW	X	X	X	X
12	356748	BUTTONHOLER BIGHT CONTROL CAM FOLLOWER LEVER LINK (RIGHT)	X	X	X	X
13	356653-456	FEED REGULATOR POSITIONING PIN KNOB	X	X	X	X
14	113513-451	BUTTONHOLER & FEED REGULATOR MECHANISM MOUNTING PLATE SCREW	X	X	X	X
15	445486	BUTTONHOLER BIGHT CONTROL CAM FOLLOWER LEVER LINK (RIGHT) RETAINING RING	X	X	X	X
16	353588-451	BUTTONHOLER & FEED REGULATOR MECHANISM MOUNTING PLATE SCREW NUT	X	X	X	X
17	353215	BUTTONHOLER NEEDLE POSITION CAM FOLLOWER LEVER RETAINING RING	X	X	X	X
18	353495	BUTTONHOLER & FEED REGULATOR CONTROL DIAL PAWL SPRING	X	X	X	X
19	353319	CAM CONTROL FEED ENGAGING CAM FOLLOWER & LEVER BUSHING	X	X	X	X
20	353321	CAM CONTROL FEED ENGAGING CAM FOLLOWER LEVER	X	X	X	X
21	353495	CAM CONTROL FEED ENGAGING CAM FOLLOWER & LEVER SPRING	X	X	X	X
22	353320	CAM CONTROL FEED ENGAGING CAM FOLLOWER	X	X	X	X
23	445539	CAM CONTROL FEED ENGAGING CAM FOLLOWER & LEVER WASHER	X	X	X	X
24	113372-451	CAM CONTROL FEED ENGAGING CAM FOLLOWER & LEVER MOUNTING SCREW	X	X	X	X
25	445721	FEED REGULATOR POSIT. PIN CARRIER RET. RING	X	X	X	X
26	353446	FEED REGULATOR POSITIONING PIN	X	X	X	X
27	44612	FEED REG. POSITIONING PIN FRICTION SPRING	X	X	X	X
28	353305	FEED REGULATOR POSITIONING PIN CARRIER	X	X	X	X
29	113455-001	FEED REGULATOR CONTROL ARM MOUNTING BRACKET	X	X	X	X

From the library of: Diamond Needle Corp

BUTTONHOLER & FEED REGULATOR CAM

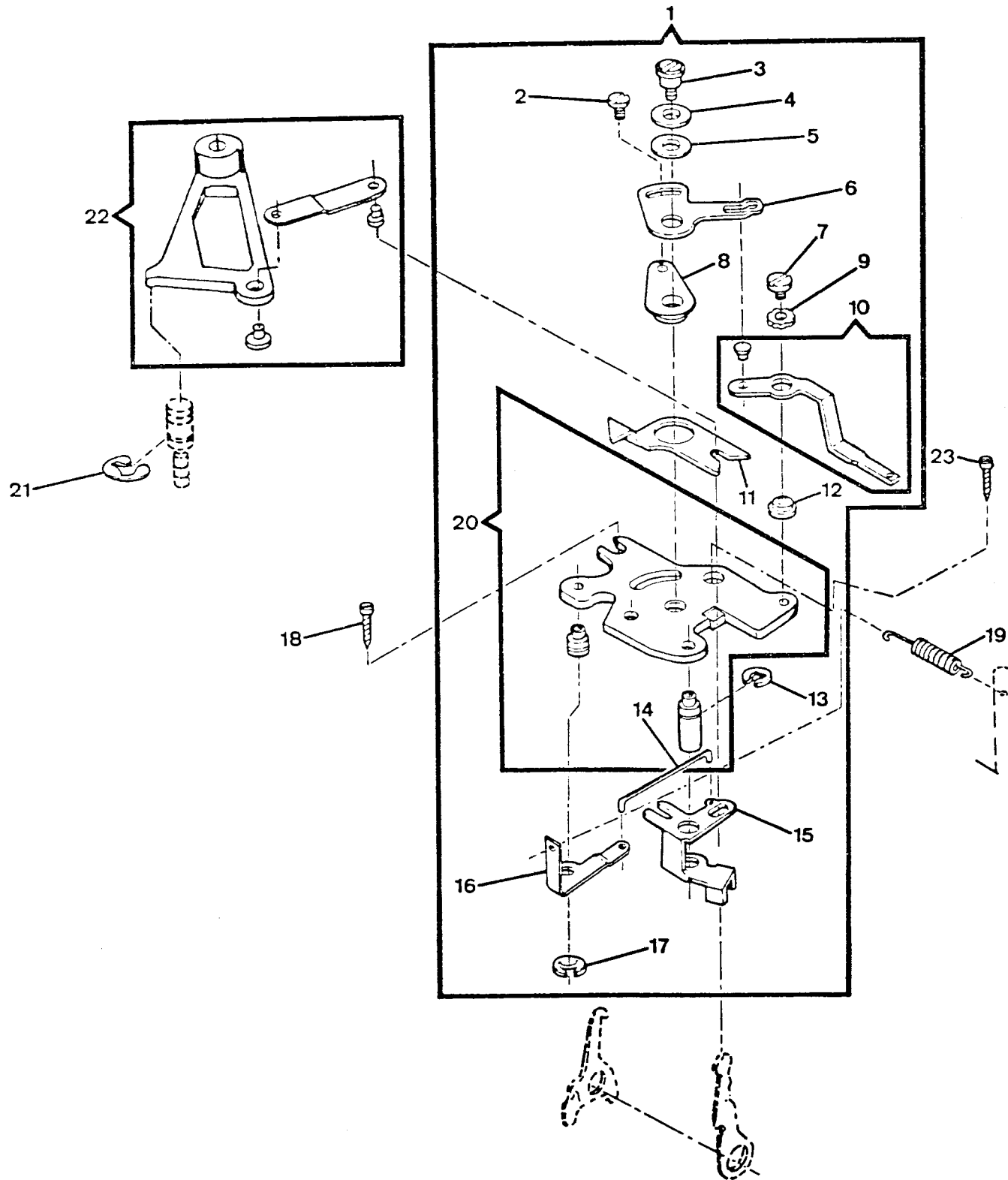


From the library of: Diamond Needle Corp

PART LIST
CAM CONTROLLED FEED

REF.	PART NBR	DESCRIPTION	5	5	5	5
			8	8	8	8
			1	1	1	1
			2	4	6	8
01	356074	CAM CONTROLLED FEED MOUNTING BRACKET COMPLETE	X	X	X	X
02	141913-451	CAM CONTROLLED FEED BALANCE ADJUSTING SCREW	X	X	X	X
03	113423-451	CAM CONTROLLED FEED BALANCE ADJUSTING PLATE HINGE SCREW	X	X	X	X
04	543531	CAM CONTROLLED FEED BALANCE ADJUSTING SCREW WASHER	X	X	X	X
05	353492	CAM CONTROLLED FEED BALANCE ADJUSTING SCREW SPRING WASHER	X	X	X	X
06	531754	CAM CONTROLLED FEED BALANCE ADJUSTING PLATE	X	X	X	X
07	113424-451	CAM CONTROLLED FEED BALANCE ADJUSTING LEVER HINGE SCREW	X	X	X	X
08	353331	CAM CONTROLLED FEED DRIVING ARM ECCENTRIC	X	X	X	X
09	179898-001	CAM CONTROLLED FEED BALANCE ADJUSTING LEVER WASHER	X	X	X	X
10	356076-452	CAM CONTROLLED FEED BALANCE ADJUSTING LEVER ASSEMBLY	X	X	X	X
11	353330-001	CAM CONTROLLED FEED DRIVING ARM	X	X	X	X
12	353334	CAM CONTROLLED FEED BALANCE ADJUSTING LEVER MOUNTING BUSHING	X	X	X	X
13	445721	CAM CONTROLLED FEED ENGAGING CRANK RETAINING RING	X	X	X	X
14	353473	CAM CONTROLLED FEED ENGAGING CRANK LINK	X	X	X	X
15	353329	CAM CONTROLLED FEED ENGAGING CRANK	X	X	X	X
16	356166	CAM CONTROLLED FEED ENGAGING CRANK LEVER	X	X	X	X
17	445486	CAM CONTROLLED FEED FOLLOWER & LINK RETAINING RING	X	X	X	X
18	355243-451	CAM CONTROLLED FEED MOUNTING BRACKET SCREW	X	X	X	X
19	356605	FEED REGULATOR CONTROL ARM BIAS LINK SPRING	X	X	X	X
20	531750	CAM CONTROLLED FEED MOUNTING BRACKET ASSEMBLY	X	X	X	X
21	445486	CAM CONTROLLED FEED FOLLOWER & LINK RETAINING RING	X	X	X	X
22	356839	CAM CONTROLLED FEED FOLLOWER & LINK ASSEMBLY	X	X	X	X
23	113455-003	CAM CONTROLLED FEED MOUNTING BRACKET SCREW (RIGHT)	X	X	X	X

From the library of: Diamond Needle Corp



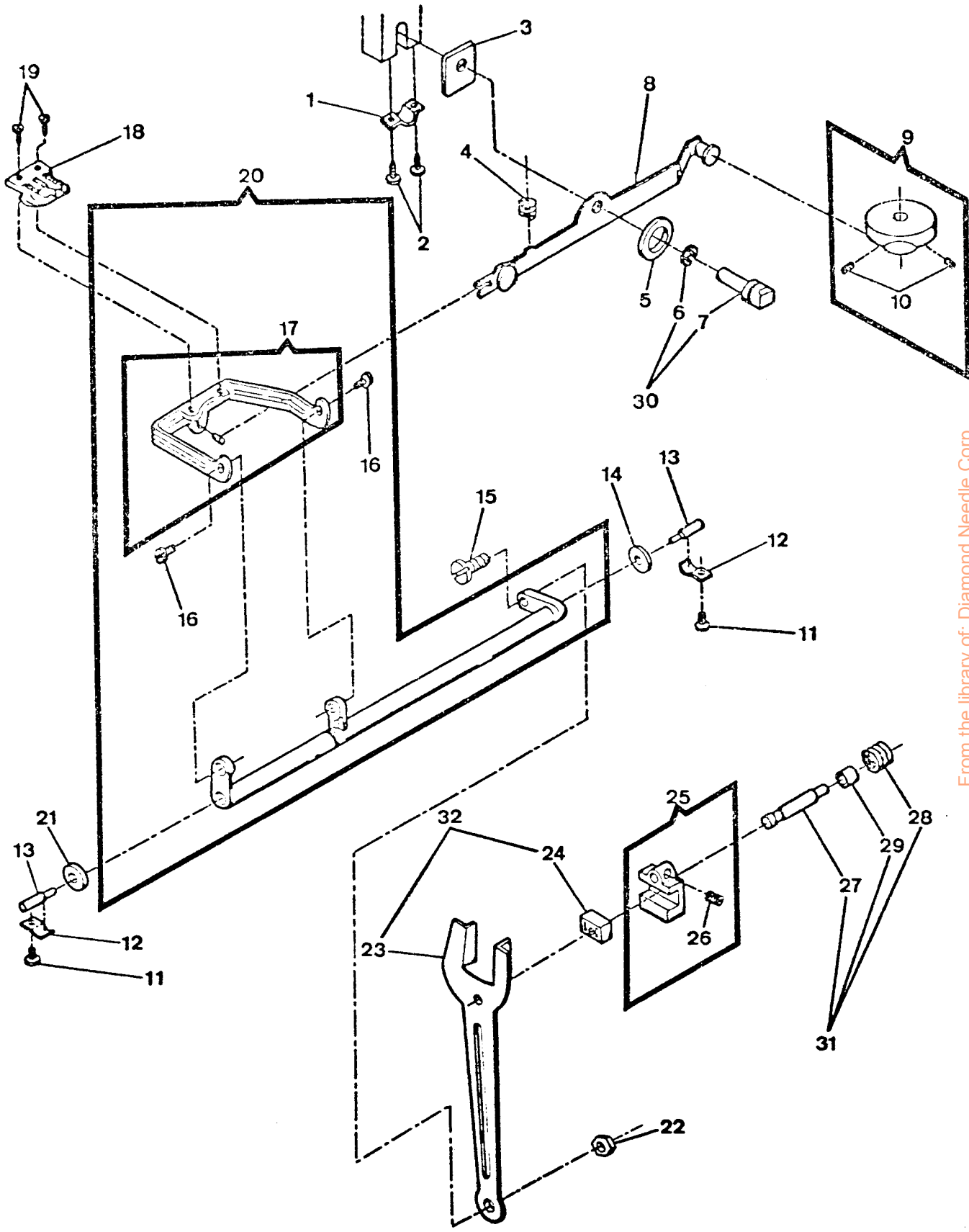
From the library of: Diamond Needle Corp

PART LIST
FEED SYSTEM

REF.	PART NBR	DESCRIPTION	5	5	5	5
			8	8	8	8
			1	1	1	1
			2	4	6	8
01	446485	FEED LIFTING LEVER HINGE STUD (ECCENTRIC) CLAMP	X	X	X	X
02	113455-001	FEED LIFTING LEVER HINGE STUD (ECCENTRIC) CLAMP SCREW	X	X	X	X
03	179955	FEED LIFTING LEVER HINGE STUD (ECCENTRIC) SPACER	X	X	X	X
04	446249	FEED LIFTING LEVER SPRING	X	X	X	X
05	353427	FEED LIFTING LEVER HINGE STUD (ECCENTRIC) WASHER	X	X	X	X
06	353428	FEED LIFTING LEVER HINGE STUD (ECCENTRIC) RETAINING RING	X	X	X	X
07	353448	FEED LIFTING LEVER HINGE STUD (ECCENTRIC)	X	X	X	X
08	356222	FEED LIFTING LEVER ASSEMBLY	X	X	X	X
09	446228	FEED LIFTING CAM	X	X	X	X
10	544118	FEED LIFTING CAM SCREW	X	X	X	X
11	113455-001	FEED ROCK SHAFT CENTER SUPPORTING BRACKET SCREW	X	X	X	X
12	446484	FEED ROCK SHAFT CENTER CLAMP (LEFT & RIGHT)	X	X	X	X
13	446487-001	FEED ROCK SHAFT CENTER	X	X	X	X
14	353397	FEED ROCK SHAFT CENTER (RIGHT) NOISE DAMPENING WASHER	X	X	X	X
15	531623-451	FEED FORKED CONNECTION HINGE SCREW (ECCENTRIC)	X	X	X	X
16	354939-451	FEED BAR HINGE SCREW	X	X	X	X
17	446205	FEED BAR ASSEMBLY	X	X	X	X
18	179891	FEED DOG	X	X	X	X
19	355235-451	FEED DOG SCREW	X	X	X	X
20	446216	FEED ROCK SHAFT COMPLETE	X	X	X	X
21	353397	FEED ROCK SHAFT CENTER (LEFT) NOISE DAMPENING WASHER	X	X	X	X
22	53648-451	FEED FORKED CONNECTION SCREW STUD NUT	X	X	X	X
23	531926	FEED FORKED CONNECTION	X	X	X	X
24	44437	FEED FORKED CONNECTION SLIDE BLOCK	X	X	X	X
25	446244	FEED REGULATOR ASSEMBLY	X	X	X	X
26	141925-833	FEED REGULATOR SET SCREW	X	X	X	X
27	446483	FEED REGULATOR HINGE STUD	X	X	X	X
28	179890	FEED REGULATOR RETURN SPRING	X	X	X	X
29	445768	FEED REGULATOR RETURN SPRING BUSHING (PLASTIC)	X	X	X	X
30	353479	FEED LIFTING LEVER HINGE STUD (ECCENTRIC) WITH RETAINING RING	X	X	X	X
31	353600	FEED REGULATOR HINGE STUD ASSEMBLY	X	X	X	X
32	531927	FEED FORKED CONNECTION WITH SLIDE BLOCK	X	X	X	X

From the library of: Diamond Needle Corp

FIELD SYSTEM

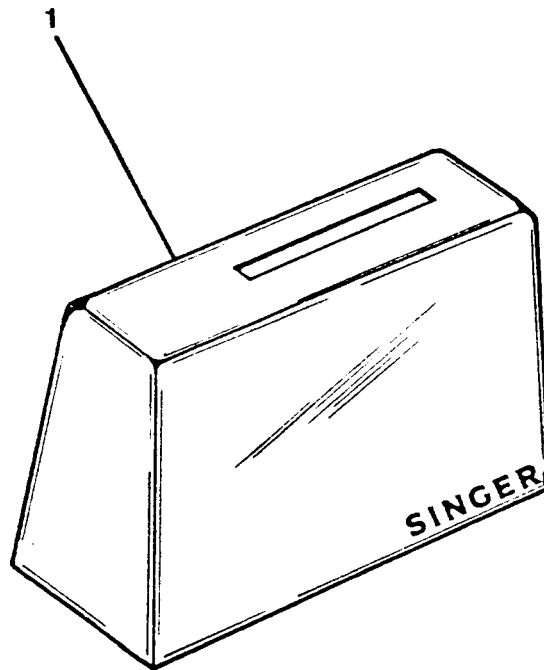


From the library of: Diamond Needle Corp

PART LIST
 OPTIONS

REF.	PART NBR	DESCRIPTION	5	5	5	5
			8	8	8	8
			1	1	1	1
			2	4	6	8
01	356392-452	SOFT VYNIL COVER	X	X	X	X
02	116863	FINGER GUARD (OPTIONAL)	X	X	X	X

From the library of: Diamond Needle Corp

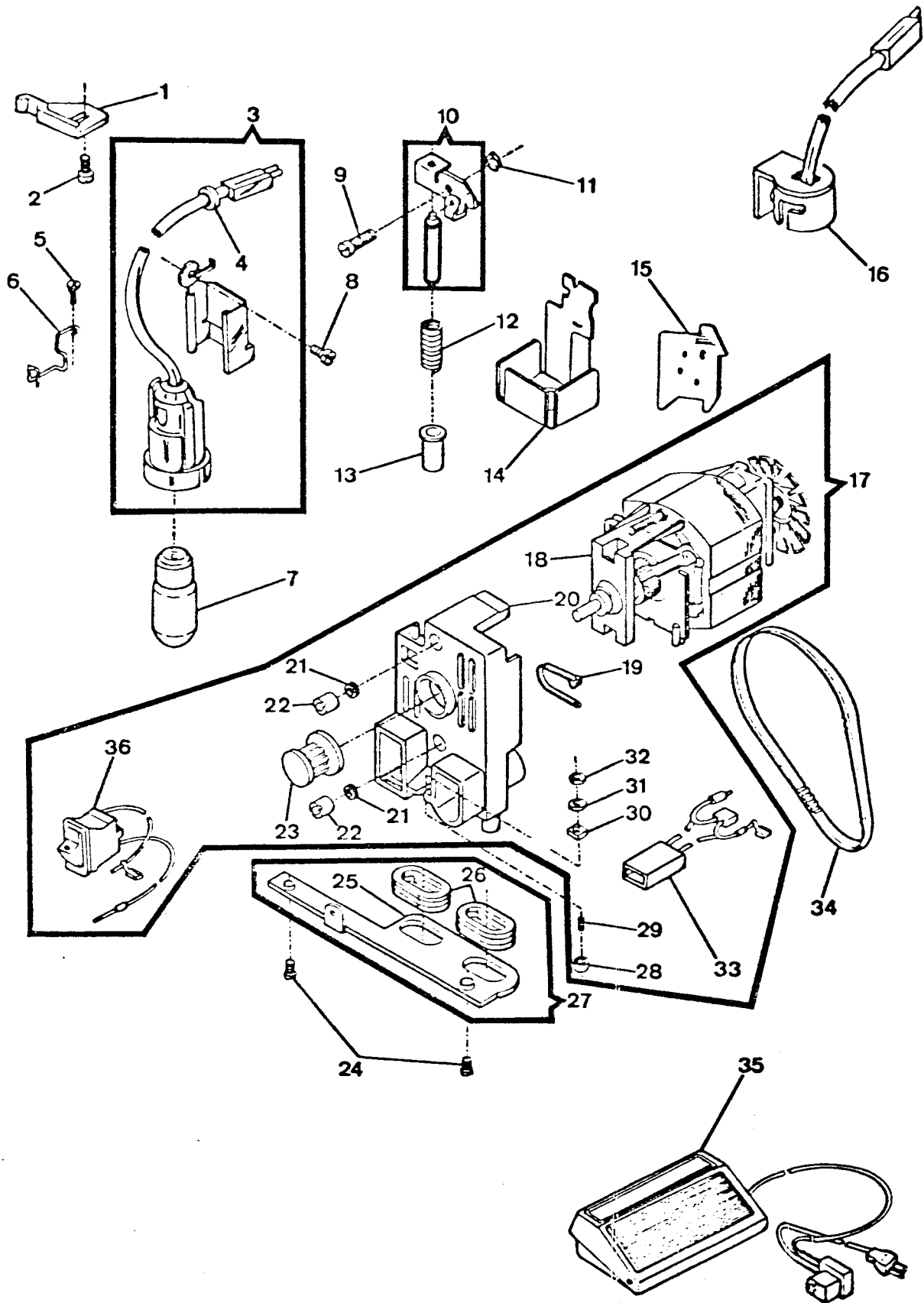


From the library of: Diamond Needle Corp

PART LIST
ELECTRICAL EQUIPMENT

REF.	PART NBR	DESCRIPTION	5	5	5	5
			8	8	8	8
			1	1	1	1
			2	4	6	8
01	353411	LIGHT LEAD RETAINING CLIP	X	X	X	X
02	113504-451	LIGHT LEAD RETAINING CLIP MOUNTING SCREW	X	X	X	X
03		REFER TO CHARTS ON FOLLOWING PAGES				
04	179908	LIGHT LEAD GROMMET	X	X	X	X
05	113455-001	LIGHT LEAD WIRE RETAINER MOUNTING SCREW	X	X	X	X
06	353247	LIGHT LEAD WIRE RETAINER	X	X	X	X
07	988076-001	LAMP (120V)	X	X	X	X
07	988076-003	LAMP (220V)	X	X	X	X
07	988076-005	LAMP (240V)	X	X	X	X
08	354592-451	LIGHT SOCKET MOUNTING SCREW	X	X	X	X
09	113372-451	MOTOR GUIDE PIN MOUNTING BRACKET SCREW	X	X	X	X
10	446470	MOTOR GUIDE PIN MOUNTING BRACKET ASSEMBLY	X	X	X	X
11	313470-452	MOTOR GUIDE PIN MOUNTING BRACKET SCREW NUT	X	X	X	X
12	446473	MOTOR BELT TENSION SPRING	X	X	X	X
13	446475	MOTOR GUIDE PIN BUSHING	X	X	X	X
14	605087-001	HEAT SHIELD (FOR EUROPE)	X	X	X	X
15	179901	LIGHT SHIELD (WITHOUT GRAPHICS)	X	X	X	X
15	179910-451	LIGHT SHIELD (WITH GRAPHICS) (FOR USA/CANADA)	X	X	X	X
16		REFER TO CHARTS ON FOLLOWING PAGES				
17		REFER TO CHARTS ON FOLLOWING PAGES				
18		REFER TO CHARTS ON FOLLOWING PAGES				
19	605600-004	TY-RAP	X	X	X	X
20		REFER TO CHARTS ON FOLLOWING PAGES				
21	604018-003	MOTOR MODULE WASHER	X	X	X	X
22	603907-001	MOTOR MODULE NUT	X	X	X	X
23	988761-001	MOTOR PULLEY	X	X	X	X
24	113370-451	MOTOR MOUNTING PLATE SCREW	X	X	X	X
25	446476	MOTOR MOUNTING PLATE	X	X	X	X
26	353355	MOTOR MOUNTING PLATE GROMMET	X	X	X	X
27	446479	MOTOR MOUNTING PLATE ASSEMBLY	X	X	X	X
28	988887-001	MOTOR BELT SCREW CAP	X	X	X	X
29	113343-451	MOTOR BELT SCREW	X	X	X	X
30	179887	MOTOR BELT SCREW NUT	X	X	X	X
31	445539	MOTOR ADJUSTING SCREW LOCK NUT WASHER	X	X	X	X
32	353402-451	MOTOR ADJUSTING SCREW LOCK NUT	X	X	X	X
33		REFER TO CHARTS ON FOLLOWING PAGES				
34	353518-001	MOTOR BELT	X	X	X	X
35		REFER TO CHARTS ON FOLLOWING PAGES				
36		REFER TO CHARTS ON FOLLOWING PAGES				

From the library of: Diamond Needle Corp



From the library of: Diamond Needle Corp

ELECTRICAL EQUIPMENT

		U.S	CANADA	SOUTH AFRICA & EUROPE	GREAT BRITAIN
REF.	1 SPEED UNSURPRESSED	(120V)	(120V)	(220V)	(240V)

3	LIGHT COMP.	605488-023	605488-023		
16	LIGHT SOCKET (ALT.)	----	----		
17	MOTOR COMPLETE	988759-006	988759-006		
18	SERIES MOTOR MODULE	988752-001	988752-001		
20	COMMUTATOR END	988760-002	988760-002		
33	LIGHT RECEPT. HARNESS	988764-002	988764-002		
35	CONTROLLER	979314-031	979314-031		
36	SWITCH	988763-002	988763-002		
	1 SPEED SURPRESSED				

3	LIGHT COMP.			605488-021	605488-021
16	LIGHT SOCKER (ALT.)			----	----
17	MOTOR COMPLETE			988759-007	988759-008
18	SERIES MOTOR MODULE			988752-002	988752-003
20	COMMUTATOR END			988760-002	988760-002
33	LIGHT RECEPT. HARNESS			988768-002	988768-002
35	CONTROLLER			979314-026	979314-027
36	SWITCH			988763-004	988763-004

From the library of: Diamond Needle Corp

ELECTRICAL EQUIPMENT

		ASIA & AFRICA & SOUTH AMERICA	ASIA & AFRICA & SOUTH AMERICA	ASIA & AFRICA & SOUTH AMERICA	AMEDO
REF.	1 SPEED UNSURPRESSED	FLAT BLADE (120V)	FLAT BLADE (220V)	ROUND PIN (120V)	ROUND PIN (120V)
3	LIGHT COMP.	605488-023	605488-023	605488-023	605488-023
16	LIGHT SOCKET (ALT.)	362001-007	362001-007	362001-007	362001-007
17	MOTOR COMPLETE	988759-010	988759-011	988759-010	988759-012
18	SERIES MOTOR MODULE	988752-P03	988752-004	988752-P03	988752-P04
20	COMMUTATOR END	988760-002	988760-002	988760-002	988760-002
33	LIGHT RECEPT. HARNESS	988764-003	988764-003	988764-003	988764-003
35	CONTROLLER	979314-023	979314-024	979314-021	979314-021
36	SWITCH	988763-001	988763-001	988763-001	988763-001

From the library of: Diamond Needle Corp

ELECTRICAL EQUIPMENT

ASIA &
AFRICA &
SOUTH
AMERICA

SOUTH
AFRICA

AMEDO

AUSTRALIA

REF.	1 SPEED UNSURPRESSED -----	ROUND PIN (220V) -----	ROUND PIN (220V)	ROUND PIN (220V) -----	(240V) -----
3	LIGHT COMP.	605488-023		605488-023	
16	LIGHT SOCKET (ALT.)	362001-007		362001-007	
17	MOTOR COMPLETE	988759-011		988759-013	
18	SERIES MOTOR MODULE	988752-004		988752-P05	
20	COMMUTATOR END	988760-002		988760-002	
33	LIGHT RECEPT. HARNESS	988764-003		988764-003	
35	CONTROLLER	979314-022		979314-022	
36	SWITCH	988763-001		988763-001	
	 1 SPEED SURPRESSED -----				
3	LIGHT COMP.				605488-021
16	LIGHT SOCKER (ALT.)				-----
17	MOTOR COMPLETE				988759-008
18	SERIES MOTOR MODULE				988752-003
20	COMMUTATOR END				988760-002
33	LIGHT RECEPT. HARNESS				988768-002
35	CONTROLLER (ALT.)				979314-028
36	SWITCH				988763-004

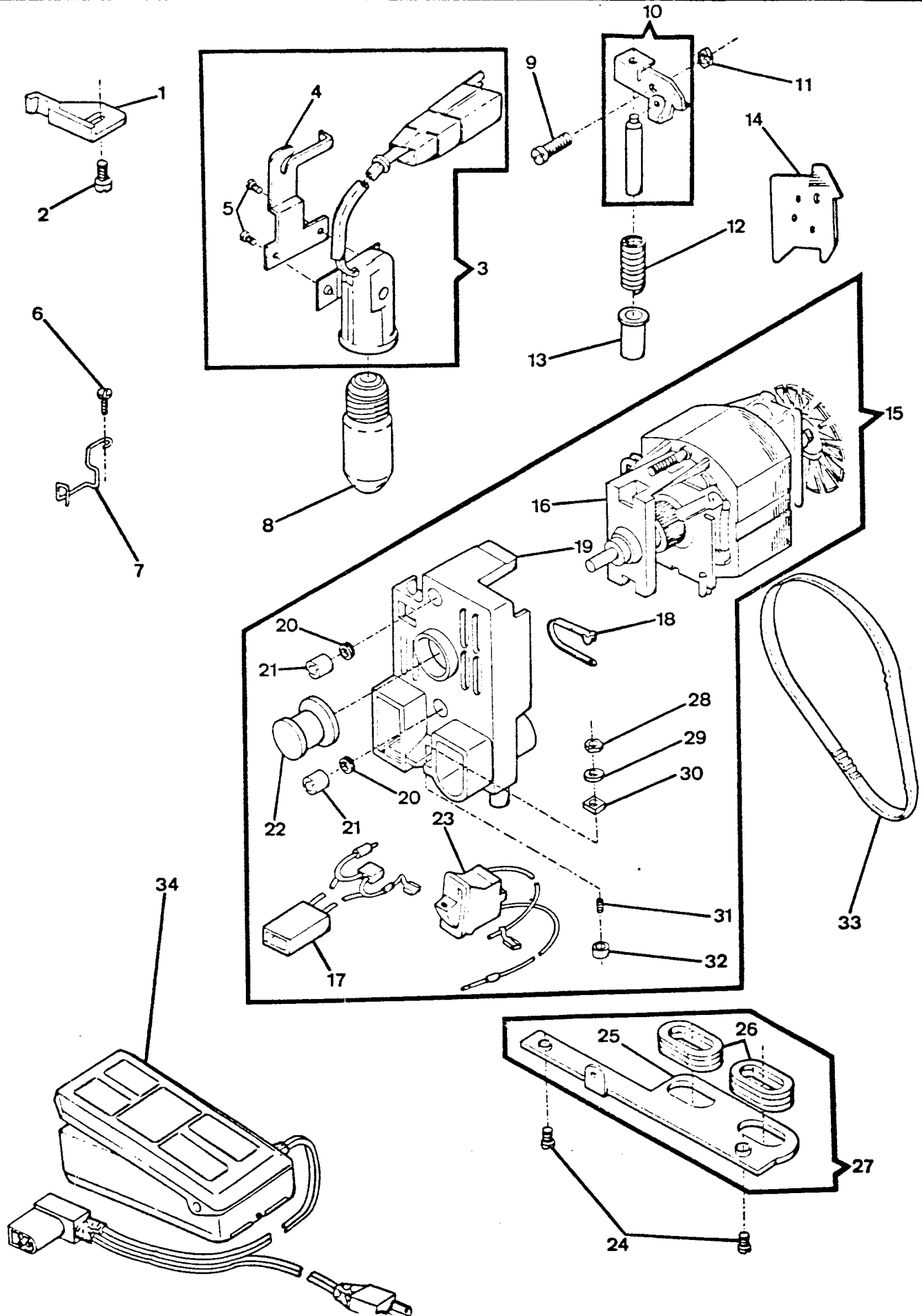
From the library of: Diamond Needle Corp

PART LIST
ELECTRICAL EQUIPMENT
(JAPAN ONLY)

REF.	PART NBR	DESCRIPTION	5	5	5	5
			8	8	8	8
			1	1	1	1
			2	4	6	8
01	353411	LIGHT LEAD RETAINING CLIP	X	X	X	X
02	113504-451	LIGHT LEAD RETAINING CLIP MOUNTING SCREW	X	X	X	X
03	979148-001	LIGHT COMPLETE	X	X	X	X
04	979146-001	LIGHT SOCKET BRACKET	X	X	X	X
05	354592-451	LIGHT SOCKET BRACKET SCREW	X	X	X	X
06	113455-001	LIGHT LEAD WIRE RETAINER MOUNTING SCREW	X	X	X	X
07	353247	LIGHT LEAD WIRE RETAINER	X	X	X	X
08	549887-003	LAMP 100W	X	X	X	X
09	113372-451	MOTOR GUIDE PIN MOUNTING BRACKET SCREW	X	X	X	X
10	446470	MOTOR GUIDE PIN MOUNTING BRACKET ASSEMBLY	X	X	X	X
11	313470-452	MOTOR GUIDE PIN MOUNTING BRACKET SCREW NUT	X	X	X	X
12	446473	MOTOR BELT TENSION SPRING	X	X	X	X
13	446475	MOTOR GUIDE PIN BUSHING	X	X	X	X
14	179901	HEAT SHIELD (WITHOUT GRAPHICS)	X	X	X	X
15	988759-009	MOTOR COMPLETE	X	X	X	X
16	988752-005	SERIES MOTOR MODULE	X	X	X	X
17	988768-002	LIGHT RECEPTACLE HARNESS (SUPPRESSED) COMPLETE	X	X	X	X
18	605600-004	TY-RAP	X	X	X	X
19	988760-002	COMMUTATOR END COVER	X	X	X	X
20	604018-003	MOTOR MODULE WASHER	X	X	X	X
21	603907-001	MOTOR MODULE NUT	X	X	X	X
22	988761-001	MOTOR PULLEY	X	X	X	X
23	988763-003	SWITCH WITH CONNECTOR & CONTACT LEADS	X	X	X	X
24	113370-451	MOTOR MOUNTING PLATE SCREW	X	X	X	X
25	446476	MOTOR MOUNTING PLATE	X	X	X	X
26	353355	MOTOR MOUNTING PLATE GROMMET	X	X	X	X
27	446479	MOTOR MOUNTING PLATE ASSEMBLY	X	X	X	X
28	353402-451	MOTOR MOUNTING SCREW LOCK NUT	X	X	X	X
29	445539	MOTOR MOUNTING SCREW LOCK NUT WASHER	X	X	X	X
30	179887	MOTOR BELT SCREW NUT	X	X	X	X
31	113343-451	MOTOR BELT SCREW	X	X	X	X
32	988887-001	MOTOR BELT SCREW CAP	X	X	X	X
33	353518-001	MOTOR BELT	X	X	X	X
34	411837-001	CONTROLLER (FURNISHED BY SINGER NIKKO)	X	X	X	X

From the library of: Diamond Needle Corp

ELECTRICAL EQUIPMENT (JAPAN ONLY)



From the library of: Diamond Needle Corp